

T H E R M O M E T R I C S
A C O M M I T M E N T T O E X C E L L E N C E

NTC Type NDK

Thermometrics Epoxy-Coated Chip Thermistor



Description

A range of epoxy-coated chips with bare 0.007 in (0.2 mm) tinned monel lead-wires.

Features

- Designed for accurate temperature measurement, control and compensation
- Tight tolerances on resistance and B value
- Operation up to 311°F (155°C) with excellent stability
- Small body size
- Fast response
- Epoxy resin provides voltage insulation
- Suitable for automotive, HVAC and white goods applications
- Limited heat conduction along monel (copper nickel) lead-wires
- RoHS compliant

Amphenol
Advanced Sensors

Type NDK Specifications

Epoxy-coated chip thermistor

R25 Ω	Material System	B Value 25/85°C K	Maximum Operating Temperature °F (°C)	Code R25°C ± 1%	Code R25°C ± 2%	Code R25°C ± 3%	Code R25°C ± 5%	Code R25°C ± 10%
1000	2	3540 ± 1%	257 (125)	NDK102C2R1	NDK102C2R2	NDK102C2R3	NDK102C2R5	NDK102C2R10
2000	2	3540 ± 1%	257 (125)	NDK202CR1	NDK202C2R2	NDK202C2R3	NDK202C2R5	NDK202C2R10
5000	2	3540 ± 1%	257 (125)	NDK502CR1	NDK502C2R2	NDK502C2R3	NDK502C2R5	NDK502C2R10
1000	2A	3627 ± 1%	257 (125)	NDK102C2AR1	NDK102C2AR2	NDK102C2AR3	NDK102C2AR5	NDK102C2AR10
2000	2A	3627 ± 1%	257 (125)	NDK202C2AR1	NDK202C2AR2	NDK202C2AR3	NDK202C2AR5	NDK202C2AR10
5000	2A	3627 ± 1%	257 (125)	NDK502C2AR1	NDK502C2AR2	NDK502C2AR3	NDK502C2AR5	NDK502C2AR10
2700	1	3977 ± 0.75%	311 (155)	NDK272C1R1	NDK272C1R2	NDK272C1R3	NDK272C1R5	NDK272C1R10
5000	1	3977 ± 0.75%	311 (155)	NDK502C1R1	NDK502C1R2	NDK502C1R3	NDK502C1R5	NDK502C1R10
10000	1	3977 ± 0.75%	311 (155)	NDK103C1R1	NDK103C1R2	NDK103C1R3	NDK103C1R5	NDK103C1R10
30000	1	3977 ± 0.75%	311 (155)	NDK303C1R1	NDK303C1R2	NDK303C1R3	NDK303C1R5	NDK303C1R10
50000	1	3977 ± 0.75%	311 (155)	NDK503C1R1	NDK503C1R2	NDK503C1R3	NDK503C1R5	NDK503C1R10
10000	4A	3436 ± 1%	311 (155)	NDK103C4AR1	NDK103C4AR2	NDK103C4AR3	NDK103C4AR5	NDK103C4AR10
12000	5	3740 ± 1%	257 (125)	NDK123C5R1	NDK123C5R2	NDK123C5R3	NDK123C5R5	NDK123C5R10

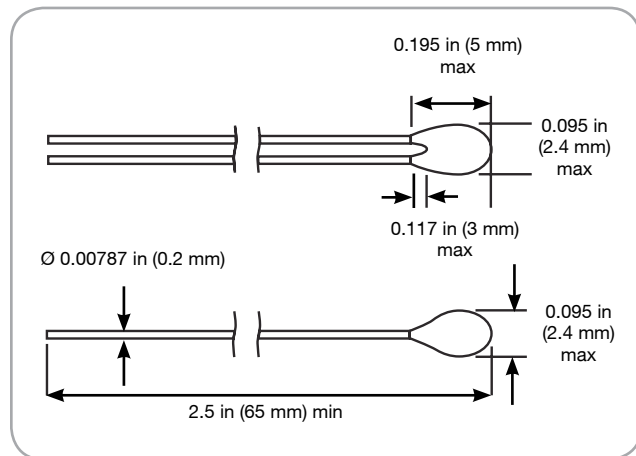
See separate tables for resistance - temperature data.

Options

- Other resistance values within the ranges shown; e.g., code NDK152C2R1 for 1500 Ω ±1% at 77°F (25°C) in the range of 32°F (0°C) up to the maximum operating temperature
- Reference temperatures
- Wire lengths 1.181 in to 23.62 in (30 mm to 600 mm) (±1 mm or ±2%, whichever is the greater)
- Other wire materials

Data

- Minimum operating temperature range: -40°F to 311°F (-40°C to 155°C)
- Thermal time constant: <10s
- Dissipation factor: 1.5 mW/K
- Voltage insulation: 500 VDC
- Packing/MOQ: 500/box



NTC Type NDK Dimensions

Amphenol
Advanced Sensors

www.amphenol-sensors.com

© 2015 Amphenol Corporation. All Rights Reserved. Specifications are subject to change without notice. Other company names and product names used in this document are the registered trademarks or trademarks of their respective owners.