



T H E R M O M E T R I C S
A C O M M I T M E N T T O E X C E L L E N C E

DAT

Discharge Air Temperature Sensor



The Discharge Air Temperature sensor is used to measure the temperature of the air that is emitted from the air ducts. This temperature reading is fed back to the control module, and the system compares this temperature reading to what the occupant of the vehicle has the temperature set at on the air conditioning system. The control module calculates the temperature delta and automatically adjusts the HVAC system to minimize this temperature difference.

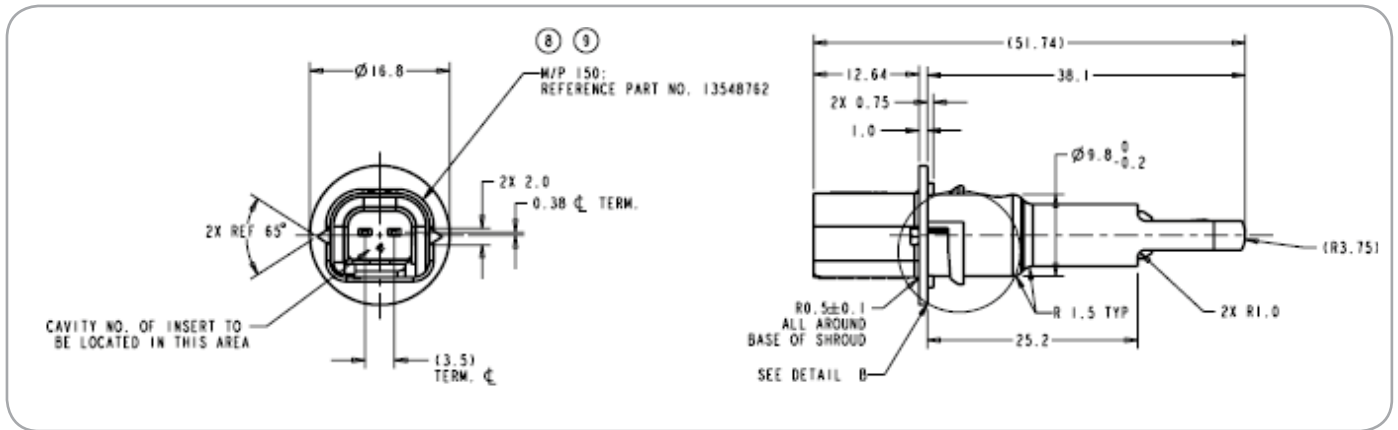
Applications

- Vehicles with automatic air conditioning
- Vehicle in cabin temperature measurement

Features

- High accuracy and long term stability
- Fast response time
- Small size & flexible
- Integral connector
- “Fir-Tree” or “Twist-Lock” for fast installation & easy service
- The parts passed 2000 hour + submersion test’
- Alternate RvT curves available
- Different geometries to meet package requirements

Amphenol
Advanced Sensors



Specifications

R @ 25°C

3000 Ω ± 1.0%

B (25/100)

3988K

Operating Temperature Range

-40 to 85°C

Storage Temperature Range

-40 to 90°C

Temperature Accuracy

+/- 0.20°C @ 25°C

+/- 0.30°C @ 40°C

Response Time

10 seconds from 60°C oil to 20°C oil

NTC Part number

NDUS7655

Housing Material

Nylon 6/6

Weight

3 gr

Connector:

Packard Electric 150 series

Mating Connector

Packard Electric 12047662

Resistance vs. Temperature Data

Resistance = 3000 Ohms at 25.00 °C Rtol. @ 25°C 1%

Temp. (°C)	Rnominal (ohms)	Res. Tol. ±%	Rmin. (Ohms)	Rmax. (Ohms)	Temp Coef (%/°C)	Temp Coef (±°C)
-40.00	100950.00	2.90	98,008.00	103,892.00	6.70	0.40
-35.00	72777.00	2.70	70,786.00	74,767.00	6.40	0.40
-30.00	53100.00	2.60	51,739.00	54,461.00	6.20	0.40
-25.00	39111.00	2.40	38,173.00	40,049.00	6.00	0.40
-20.00	29121.00	2.20	28,469.00	29,773.00	5.80	0.40
-15.00	21879.00	2.10	21,422.00	22,335.00	5.60	0.40
-10.00	16599.00	1.90	16,277.00	16,921.00	5.40	0.40
-5.00	12695.00	1.80	12,466.00	12,923.00	5.30	0.30
0.00	9795.00	1.70	9,632.00	9,958.00	5.10	0.30
5.00	7616.00	1.50	7,500.00	7,733.00	5.00	0.30
10.00	5970.00	1.40	5,886.00	6,054.00	4.80	0.30
15.00	4712.00	1.30	4,652.00	4,773.00	4.70	0.30
20.00	3747.00	1.20	3,703.00	3,791.00	4.50	0.30
25.00	3000.00	1.00	2,970.00	3,030.00	4.40	0.20
30.00	2417.00	1.20	2,389.00	2,445.00	4.30	0.30
35.00	1959.00	1.30	1,935.00	1,984.00	4.10	0.30
40.00	1598.00	1.40	1,576.00	1,620.00	4.00	0.30
45.00	1311.00	1.50	1,291.00	1,330.00	3.90	0.40
50.00	1081.00	1.60	1,064.00	1,098.00	3.80	0.40
55.00	895.90	1.70	881.00	910.70	3.70	0.40
60.00	746.40	1.80	733.30	759.50	3.60	0.50
65.00	624.90	1.80	613.40	636.40	3.50	0.50
70.00	525.60	1.90	515.50	535.70	3.40	0.60
75.00	444.40	2.00	435.50	453.30	3.20	0.60
80.00	377.40	2.10	369.50	385.30	3.20	0.60
85.00	321.70	2.20	314.70	328.70	3.20	0.70