

T H E R M O M E T R I C S  
A C O M M I T M E N T T O E X C E L L E N C E

# NTC Type JR

## Chip Thermistor In Eyelet Tag



### Features

- Suitable for surface temperature measurement
- Sensing element electrically isolated from tag
- Two standard resistance values: 10 k $\Omega$  & 20 k $\Omega$  nominal at 77°F (25°C)
- Eyelets to fit M3, M4 & M5 screw sizes
- Range of wire lengths 1.97 in to 78.74 in (50 mm to 2000 mm) (dimension WL in diagram on page 2)
- Typical applications include semiconductor heatsinks, enclosure panels

**Amphenol**  
**Advanced Sensors**

# Type JR Specifications

## Description

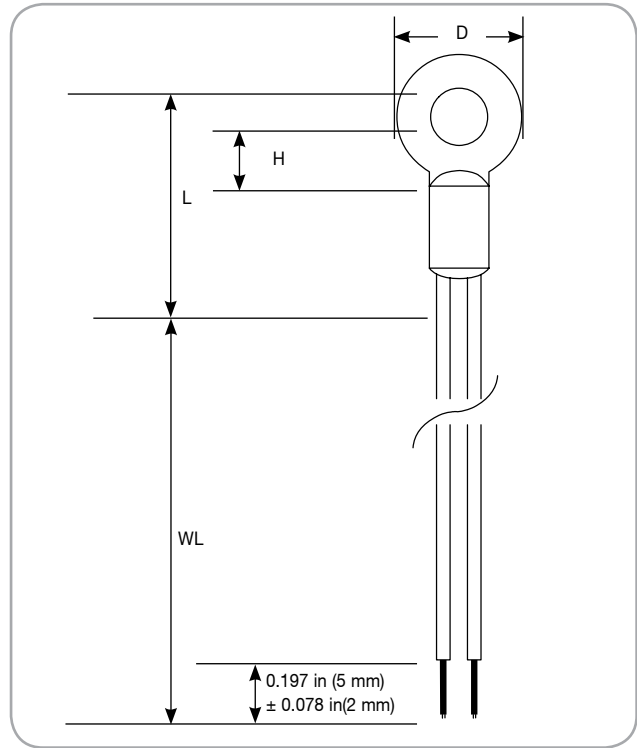
NTC chip thermistor with insulated flexible wires and housed in an eyelet tag.

## Options

- Other resistance - temperature characteristics
- Other wire types

## Data

- **R25:**  
10 K $\Omega$   $\pm$  5% (JR103R5MxLxxx) 20 K $\Omega$   $\pm$  5% (JR203R5MxLxxx)
- **B 25/85:**  
3977 K  $\pm$  0.75%
- **Temperature range:**  
-22°F to 221°F (-30°C to 105°C)
- **Insulation resistance:**  
500 VDC
- **Wire conductors:**  
Tin-plated copper 7 x 0.1 mm diameter
- **Wire insulation:**  
Irradiated PVC
- **Pack quantity and MOQ:**  
200 pcs



NTC Type JR dimensions

## Resistance-Temperature Data For JR Series

Temperature °C	R <sub>t</sub> /R <sub>25</sub> Nominal Ω	Resistance Tolerance ± %	Temperature Tolerance ± °C
-20	9.6807	6.80	1.17
-15	7.2809	6.58	1.17
-10	5.5253	6.35	1.17
-5	4.2292	6.14	1.17
0	3.2640	5.94	1.16
5	2.5391	5.74	1.16
10	1.9902	5.54	1.16
15	1.5713	5.36	1.15
20	1.2493	5.18	1.15
25	1.0000	5.00	1.14
30	0.8056	5.17	1.21
35	0.6530	5.34	1.29
40	0.5325	5.50	1.37
45	0.4367	5.65	1.45
50	0.3601	5.81	1.53
55	0.2985	5.96	1.61
60	0.2487	6.10	1.69
65	0.2082	6.24	1.78
70	0.1751	6.38	1.87
75	0.1480	6.52	1.96
80	0.1256	6.65	2.05
85	0.1070	6.77	2.15
90	0.09155	6.90	2.24
95	0.07864	7.02	2.34
100	0.06781	7.14	2.44
105	0.05868	7.26	2.54

# Type JR Specifications

## Ordering Information

The code number to be ordered may be specified as follows:

### Code Type

JR Chip Thermistor In Eyelet Tag

#### Code R<sub>25</sub> and Tolerance

103R5 10 KΩ ± 5%

203R5 20 KΩ ± 5%

#### Code Wire Length WL in mm

M3

M4 see dimensions below

M5

#### Code Wire length WL in mm

L500 50 ± 5

L101 100 ± 10

L201 200 ± 20

L301 300 ± 20

L401 400 ± 20

L501 500 ± 20

L102 1000 ± 50

L152 1500 ± 50

L202 2000 ± 50

JR - \_\_\_ - \_\_\_ - \_\_\_ Typical model number

Eyelet size and wire length are specified by the product code: e.g. JR203R5M3L500

### Eyelet Dimensions

Eyelet size	H (mm)	D (mm)	L (mm)
M3	3.2	6.4	12.3
M4	4.3	8.5	16.8
M5	5.3	8.5	16.8

