

NPH Series

Solid State Low Pressure Sensors



NovaSensor NPH Series of Solid State Low Pressure Sensors consist of an integrated circuit silicon sensor chip housed in a standard TO-8 electrical package that is printed circuit board mountable.

The latest techniques in micromachining have been used to ion-implant piezoresistive strain gauges into a wheatstone bridge configuration that is integrally formed on a micromachined silicon diaphragm.

As with all NovaSensor silicon sensors, the NPH Series employs SenStable[®] processing technology, providing excellent output stability. Constant current excitation to the sensor produces a voltage output that is linearly proportional to the input pressure.

The user can provide standard signal conditioning circuitry to amplify the 100 mV output signal. The sensor is compatible with most non-corrosive gases and dry air.

A laser-trimmed, thick-film resistor network on a hybrid ceramic substrate provides temperature compensation.

Applications

- Process control, P-to-I converters
- Pneumatic control systems
- HVAC controls
- Biomedical: Infusion pumps, sphygmomanometers, respirators
- Aerospace: Altimeters, barometers, cabin pressure sensors
- Computer peripherals

Features

- Solid state, high reliability
- Standard TO-8 package suitable for PC board mount
- Low cost, small size
- Available in gauge, absolute and differential pressure versions
- Media compatible with non-corrosive gases and dry air
- Thermal Accuracy: FSO 0.5% typical
- Overpressure capability to five times maximum rated pressure
- Three standard ranges: 0 to 10 in H₂O (0 to 25 mbar), 0 to 1 psi (0 to 0.06 bar), and 0 to 5 psi (0 to 0.34 bar)
- Nonlinearity: 0.05% FSO typical
- Standard 3/16 in OD pressure port
- Ceramic substrate with temperature compensation resistors

NPH Series - Specifications

Parameter	Value	Units	Notes
Pressure Range	0 to 10	in H ₂ O	(0 to 25 mbar) 0 to 2.5 kPa
	0 to 1	psi	(0 to 7 bar) 0 to 7 kPa
	0 to 5	psi	(0 to 0.34 bar) 0 to 30 kPa
Maximum Pressure	5x		rated pressure ⁽¹⁰⁾

Electrical @ 77°F (25°C) Unless Otherwise Stated

Input Excitation	1.5	mA	2 mA maximum
Insulation Resistance	100	MΩ	@ 50 VDC
Input Impedance ⁽¹²⁾	3200	Ω	±25%
Output Impedance	5000	Ω	±20%
Bridge Impedance	5000	Ω	±20%

Environmental

Temperature Range

Operating ⁽⁹⁾	-40 to 257	°F	(-40°C to 125°C)
Compensated	32 to 158	°F	(0°C to 70°C)
Vibration	10	gRMS	20 to 2000Hz
Shock	100	g	11 milliseconds
Life (Dynamic Pressure Cycle)	1 x 10 ⁶	cycles	

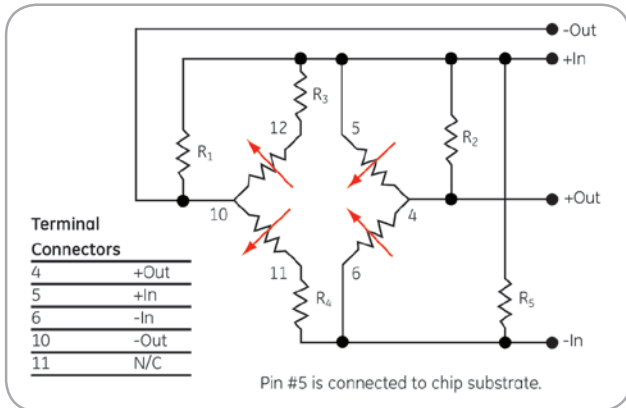
Mechanical ⁽¹⁾

Weight	<0.2	oz	(<5 g)
Media Compatibility	Non-corrosive gases and clean, dry air		
Wetted Materials			
Top Port	Nickel, gold plated Kovar, silicone gel, gold wire, RTV, silicon and glass.		
Bottom Port	Gold plated Kovar, silicon, glass and RTV ⁽⁹⁾		

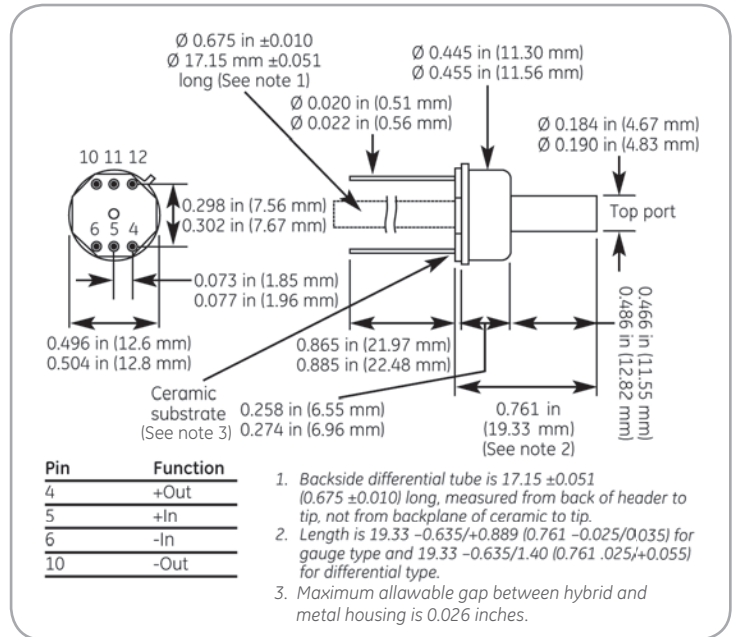
Parameter	Min.	Typical 2.5 kPa	Max.	Min.	Typical 7 & 30 kPa	Max.	Units	Notes
Performance Parameters ⁽⁷⁾ , Compensated ⁽¹⁾								
Offset	-8	2	8	-4	2	4	mV	
Full Scale (FS) Output:								
2.5 kPa	25	50	90				mV	2
7 kPa				50	75	150	mV	2
30 kPa				75	100	125	mV	2
Linearity	-1.0	0.1	1.0	-0.25	0.05	0.25	%FSO	3
Hysteresis & Repeatability	-0.2	0.05	0.2	-0.2	0.05	0.2	%FSO	
Thermal:								
Accuracy of Offset	-3	0.5	3	-2	0.5	2	%FSO	4
Accuracy of FSO	-3	-1	3	-1.5	-0.5	1.5	%FSO	4
Thermal Hysteresis	-0.75	0.5	0.75	-0.5	0.2	0.5	%FSO	5
Short-Term Stability of Offset		5			5		μV/V	6, 11
Short-Term Stability of FSO		5			5		μV/V	6, 11

- Notes:**
1. Performance with offset, thermal accuracy of offset, and thermal accuracy of FSO compensation resistors.
 2. FSO with 1.5mA input excitation.
 3. Best fit straight line.
 4. 32°F to 158°F (0°C to 70°C) with reference to 77°F (25°C).
 5. 32°F to 158°F (0°C to 70°C), by design.
 6. Normalized offset/bridge voltage — 100 hrs, typical value, not tested in production.
 7. All values measured at 77°F (25°C) and at 1.5 mA, unless otherwise noted.
 8. Reduced performance outside compensation range.
 9. Backside differential tube is nickel or Kovar.
 10. Top side pressure.
 11. Typical specifications are for reference only; absolute values may vary.
 12. For NPH-8, 2.5 kPa gauge (G) and differential (D) sensor, the input impedance is 3400 +/-30%.

NPH Series - Specifications (Cont.)



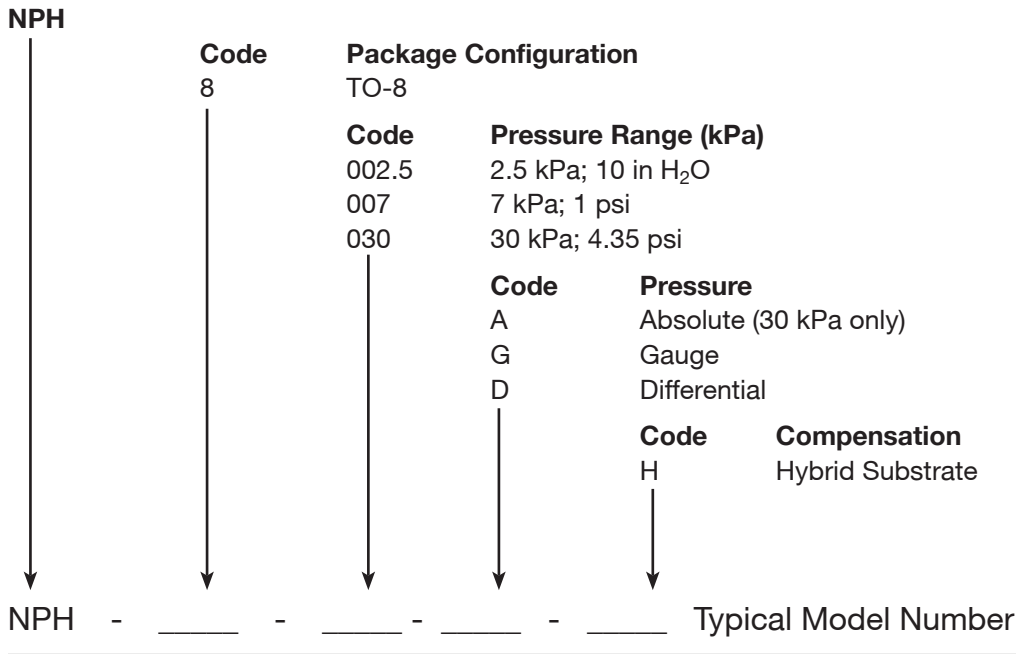
NPH Series Schematic Diagram



NPH Series Package Diagram

Ordering Information

The code number to be ordered may be specified as follows:



Amphenol

Advanced Sensors

www.amphenol-sensors.com

© 2019 Amphenol Corporation. All Rights Reserved. Specifications are subject to change without notice.
Other company names and product names used in this document are the registered trademarks or
trademarks of their respective owners.

AAS-920-275D - 08/2019