

T H E R M O M E T R I C S
A C O M M I T M E N T T O E X C E L L E N C E

Duct Sensor



Thermometric's duct sensors are used to measure the temperature of the air that is emitted from the air ducts in automobiles. The temperature reading is fed back to the control module, where the system compares the temperature reading to what the occupant of the vehicle has the temperature set at on their vehicle's air conditioning system. The control module calculates the temperature delta and automatically adjusts the HVAC system to minimize this temperature difference. Amphenol Advanced Sensors has been selling these sensors into high volume automotive applications for decades with a proven track record with respect to quality and robustness.

Applications

- Measures the temperature for air conditioners

Features

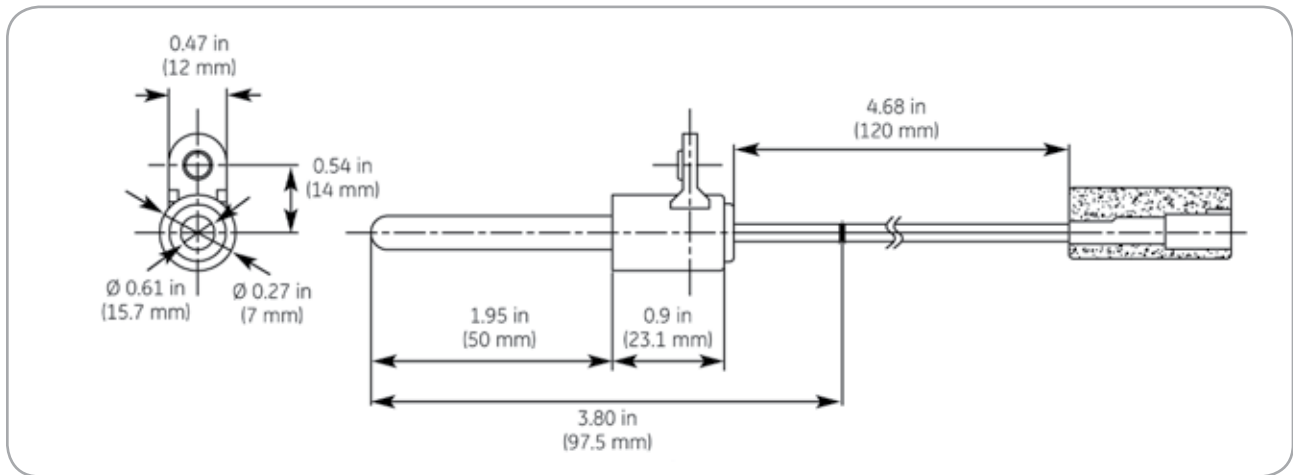
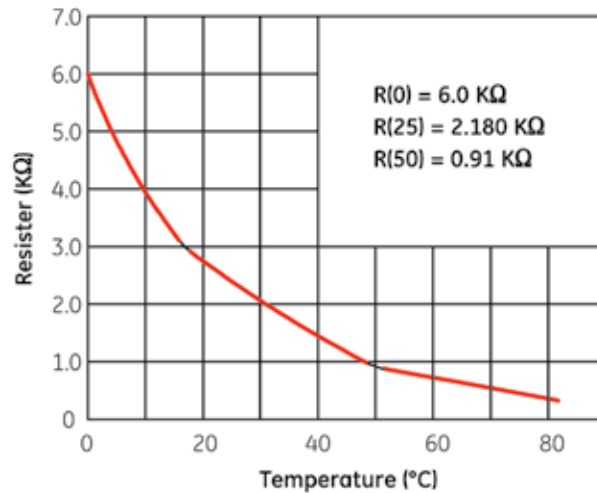
- Easy to install
- High sensitivity
- High reliability



Amphenol
Advanced Sensors

Duct Sensor Specifications

Characteristics	Minimum	Typical	Maximum	Units
Operation Voltage Range		5.0		VDC
Current		3		mA
Operation Temperature	-30		80	°F (°C)
Storage Temperature	-40		100	°F (°C)
Resistance	2.11	2.18	2.24	K Ω
B Constant	3263.4	3330	3396.6	K



Duct Sensor Dimensions

Amphenol
Advanced Sensors

www.amphenol-sensors.com

© 2014 Amphenol Corporation. All Rights Reserved. Specifications are subject to change without notice. Other company names and product names used in this document are the registered trademarks or trademarks of their respective owners.

AAS-920-166B - 09/2014