



T H E R M O M E T R I C S  
A C O M M I T M E N T T O E X C E L L E N C E

# ZTP-015

## Thermometrics IR Sensor



This thermopile sensor is used for non-contact surface temperature measuring. The ZTP-015 model consists of thermo-elements, flat IR filter, a thermistor for temperature compensation and a hermetically-sealed TO-41 (small-size) package.

### Applications

- Infant ear thermometers
- Non-contact thermometers

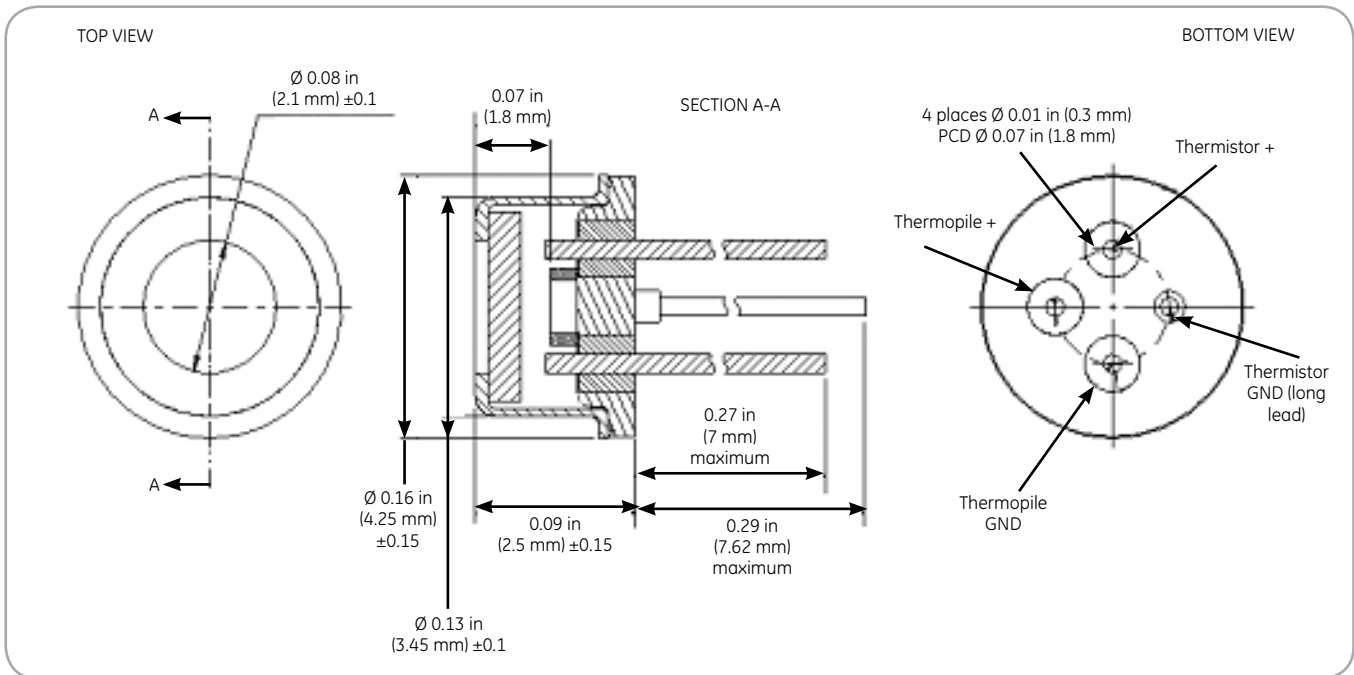
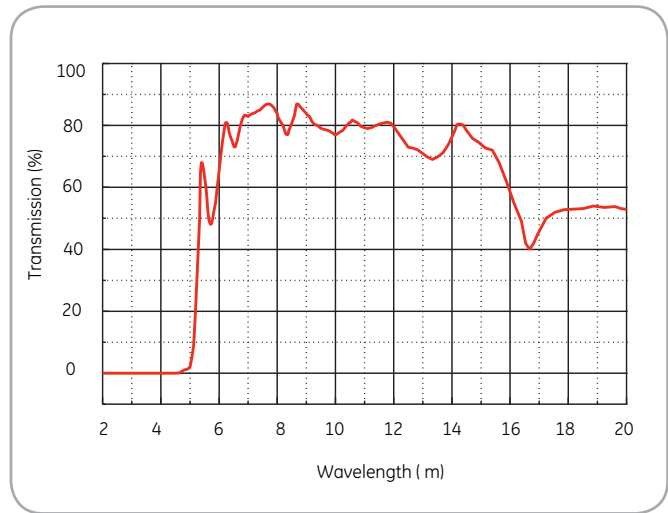
### Features

- Ultra small-size sensor (TO-41 package)
- Included ambient temperature (thermistor) sensor for compensation
- High sensitivity
- Fast response time

**Amphenol**  
**Advanced Sensors**

# ZTP-015 Specifications

Parameter	Unit	Value	Condition
Chip Size	mm <sup>2</sup>	1.2 x 1.2	-
Diaphragm Size	mm <sup>2</sup>	0.8 x 0.8	-
Number of Couples	-	60	-
Active Area	mm <sup>2</sup>	0.4 x 0.4	-
Internal Resistance	kΩ	60 ±30%	-
Resistance T.C.	% °F (°C)	< 0.10	-
Responsivity	V/W	33 ±30%	500K, 1 Hz
Responsivity T.C.	% °F (°C)	-0.1	Typical
Noise Voltage	nV rms	38	R.M.S, Typical
NEP	nW/√Hz	0.4	500K, 1 Hz, Typical
Detectivity	cn √Hz/W	1.00E + 08	500K, 1 Hz, Typical
Time Constant	ms	20	500K, 1 Hz, Typical
Operating Temperature	°F (°C)	-4°F to 212°F (-20°C to 100°C)	-
Storage Temperature	°F (°C)	-4°F to 248°F (-40°C to 120°C)	-
Thermistor Resistance	kΩ	100 ±3%	@ 77°F (25°C)
Beta	K	3960 ±1%	-
Package Type	-	TO-41	-



**Amphenol**  
Advanced Sensors

[www.amphenol-sensors.com](http://www.amphenol-sensors.com)

© 2014 Amphenol Corporation. All Rights Reserved. Specifications are subject to change without notice. Other company names and product names used in this document are the registered trademarks or trademarks of their respective owners.

AAS-920-157B-03/2014