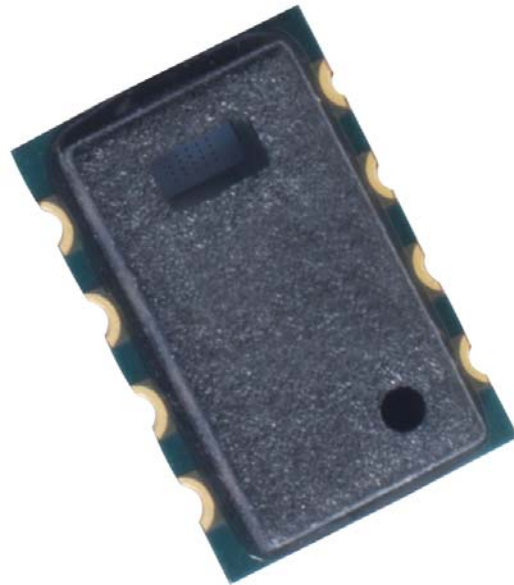


**TELAIRE**

# ChipCap<sup>®</sup> 2

Application Guide



**Amphenol**  
Advanced Sensors

AAS-916-127 Rev. G  
February 2016

1.	Sensor Performance	1
1.1	Relative Humidity (RH%)	1
1.2	Typical %RH Accuracy	1
1.3	Temperature (°C)	2
1.4	Typical Temperature Accuracy	2
1.5	Electrical Specifications	2
1.5.1	Supply Voltage	2
1.5.2	Supply Current (IDD)	2
1.5.3	Sleep Current (Isleep)	2
1.6	Environmental	3
1.6.1	Operating Temperature Range	3
1.6.2	Operating RH Range	3
1.7	Absolute Maximum Rating	3
1.8	Soldering Information	3
1.9	Package Contents	3
1.10	Dimensions	4
2.	General Information	5
2.1	Important Safety Information	5
2.2	Preliminary Consideration	5
2.3	Operating Conditions	5
2.4	Heating	6
2.5	Soldering Instruction	6
2.6	Storage and Handling Information	7
2.7	Reconditioning Procedure	7
2.8	Material Contents	7
2.9	Traceability Information	8
2.10	Shipping Package	8
3.	Interface Specification	10
3.1	Digital Output (I <sup>2</sup> C Interface)	10
3.1.1	Power Pads (5.VCORE, 6.VSS, 7.VDD)	10
3.1.2	Serial Clock & Data Pads (3. SDA, 4. SCL)	11

3.1.3 Alarm Pads (1. Alarm Low, 8. Alarm High) . . . . .	11
3.2 Analog Output (PDM) . . . . .	12
3.2.1 Power Pads (5.VCORE, 6.VSS, 7.VDD) . . . . .	12
3.2.2 PDM Output Pads (1.PDM_T, 2.PDM_H) . . . . .	13
3.2.3 Alarm Pads (8.Alarm_High, 1.Alarm_Low [optional]) . . . . .	13
3.2.4 Serial Clock & Data Pads (3.SDA, 4.SCL) . . . . .	13
3.2.5 Typical Circuit Connection . . . . .	13
4. Electrical Specification . . . . .	14
4.1 Absolute Maximum Rating . . . . .	14
4.2 Electrical Specification and Recommended Operating Conditions . . . . .	14
4.3 Output Pad Drive Strength . . . . .	16
4.4 ESD/Latch-Up-Protection . . . . .	16
5. Communicating with ChipCap 2 . . . . .	17
5.1 Power-On Sequence . . . . .	17
5.2 I2C Features and Timing . . . . .	17
5.3 Measurement Modes . . . . .	19
5.3.1 Data Fetch in Update Mode . . . . .	19
5.3.2 Data Fetch in Sleep Mode . . . . .	19
5.4 Status Bits . . . . .	21
5.5 I2C Commands . . . . .	21
5.6 Data Fetch (DF) . . . . .	22
5.7 Measurement Request (MR) . . . . .	24
5.8 Ready Pin . . . . .	24
5.9 Command Mode . . . . .	25
5.10 Command Encodings . . . . .	26
5.11 Command Response and Data Fetch . . . . .	26
5.12 EEPROM . . . . .	28
6. Converting PDM to Analog Signal . . . . .	30
6.1 PDM (Pulse Density Modulation) . . . . .	30
6.2 Low Pass Filtering . . . . .	30
6.3 Analog Output Characteristics . . . . .	31
6.3.1 Polynomial Equation Humidity . . . . .	31

---

6.3.2 Polynomial Equation Temperature .....	31
7. Alarm Function (Optional) .....	32
7.1 Alarm Output .....	32
7.2 Alarm Registers .....	32
7.3 Alarm Operation .....	32
7.4 Alarm Output Configuration .....	32
7.5 Alarm Polarity .....	33
8. Part Number List .....	37

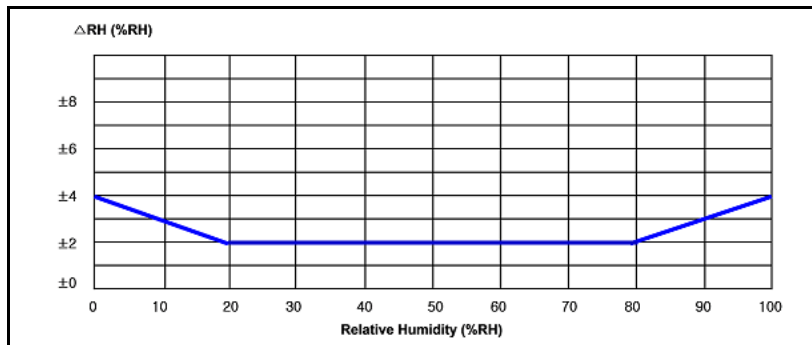


## 1. Sensor Performance

### 1.1 Relative Humidity (RH%)

<b>Resolution</b>	14 bit (0.01%RH)
<b>Accuracy</b>	±2.0%RH (20~80%RH) (Accuracies measured at 25°C, 5.0V) (Custom accuracy tolerance available.)
<b>Repeatability</b>	±0.2%RH
<b>Hysteresis</b>	±2.0%RH
<b>Linearity</b>	<2.0%RH
<b>Response Time</b>	7.0 sec ( $\tau$ 63%) (Measured at 25°C, 1 m/sec airflow for achieving 63% of step from 33%RH to 90%RH)
<b>Temperature Coefficient</b>	Max 0.13%RH/°C (at 10~60°C, 10~90%RH)
<b>Operating Range</b>	0 ~ 100%RH (Non-Condensing)
<b>Long Term Drift</b>	<0.5%RH/yr (Normal condition)

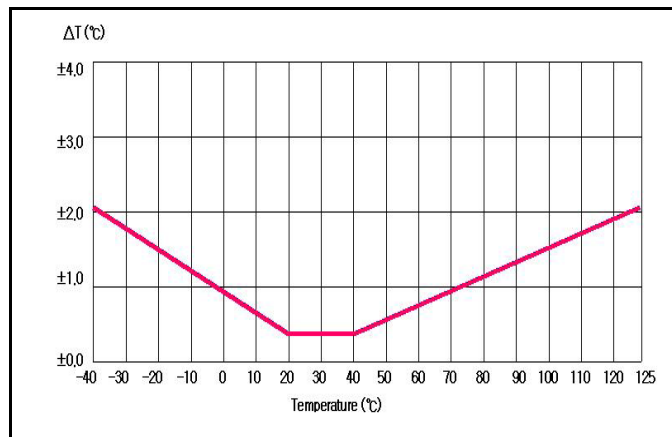
### 1.2 Typical %RH Accuracy



### 1.3 Temperature (°C)

<b>Resolution</b>	14 bit (0.01°C)
<b>Accuracy</b>	±0.3°C <i>(Accuracies measured at 25°C, 5.0V)</i>
<b>Repeatability</b>	±0.1°C
<b>Response Time</b>	5.0 sec (63%) (min. 5.0 sec, max. 20 sec)
<b>Operating Range</b>	- 40 to 125°C
<b>Long Term Drift</b>	<0.05°C/yr (Normal condition)

### 1.4 Typical Temperature Accuracy



### 1.5 Electrical Specifications

#### 1.5.1 Supply Voltage

min 2.3V to max 5.5V

#### 1.5.2 Supply Current (IDD)

750 μA (typical)

#### 1.5.3 Sleep Current (Isleep)

0.6 μA (typical)

## 1.6 Environmental

### 1.6.1 Operating Temperature Range

- 40 to 125°C

### 1.6.2 Operating RH Range

0 to 100% RH (non-condensing)

## 1.7 Absolute Maximum Rating

Parameter	Min	Max
Supply Voltage (VDD)	-0.3V	6.0V
Storage Temp ( $T_{strg}$ )	-55°C	150°C
Junction Temp ( $T_j$ )	-55°C	150°C

## 1.8 Soldering Information

### Standard or IR Solder Reflow

$T_p$ : 240°C,  $t_p$ : 40 sec. (qualify Pb free profile)

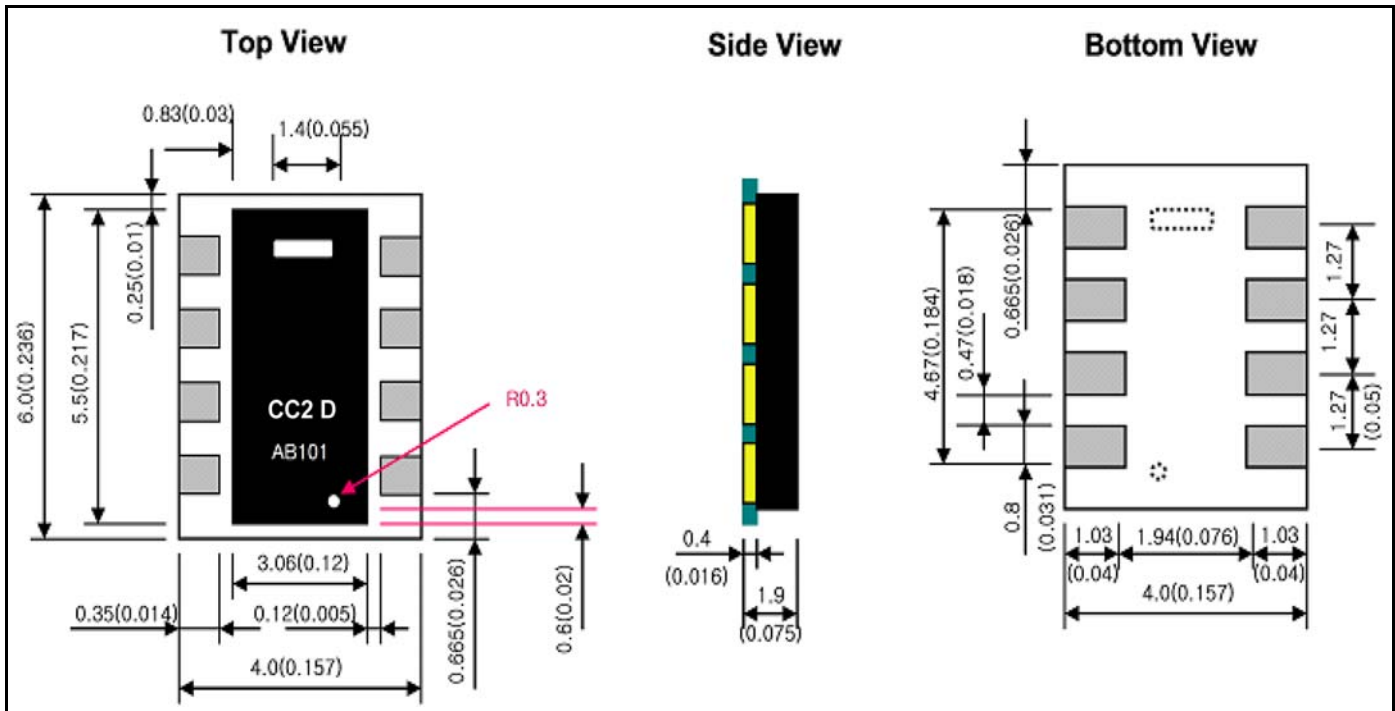
**Note:** *After soldering reconditioning will be required. Details for this process can be found on page 7.*

## 1.9 Package Contents

Capacitive polymer RH Sensor, PTA (Proportional to Absolute) Temperature sensor integrated ASIC chip in LCC (Leadless Chip Carrier) package, SMD, RoHS compliant



1.10 Dimensions (all measurements in mm (inches))



## 2. General Information

### 2.1 Important Safety Information

Amphenol Advanced Sensors makes no warranty, representation or guarantee regarding the suitability of this product for any particular application, including safety critical applications. Nor does Amphenol Advanced Sensors assume any liability arising out of the application or use in any product or circuit. Amphenol Advanced Sensors specifically disclaims all liability without limitation consequential or incidental damages. No statutory or fitness for particular purpose shall be implied.

**WARNING! Before installing the product, review the product data sheet and this application guide.**

**The product shall be used only within power supply and electrical input and output limits as specified by the datasheet and application guide.**

**Improper use of the product may result in product damage and property loss and/or personal injury.**

### 2.2 Preliminary Consideration

To maximize the performance of ChipCap® 2, it is important to plan an appropriate location of the sensor at the design stage. Airflow and proper exposure to ambient air must be secured for ChipCap 2 to ensure expected performance. Airflow holes must NOT be blocked. Any heat generating parts near ChipCap 2 will distort the proper measurement of relative humidity and temperature reading, and heat generating parts should be avoided or measures should be taken to prevent heat transfer.

### 2.3 Operating Conditions

Figure 1 below shows ChipCap 2's maximum and recommended normal operating condition. Within the normal range, ChipCap 2 performs in a stable manner. Prolonged exposures to conditions outside normal range, especially at humidity over 90%RH, may temporarily offset the RH signal up to  $\pm 3\%$ RH. When it returns to the normal range, it will gradually recover back to the calibration state.

The re-conditioning procedure in section 2.7 on page 7 will help reduce this recovery time. Long term exposure to extreme conditions may also accelerate aging of the sensor.

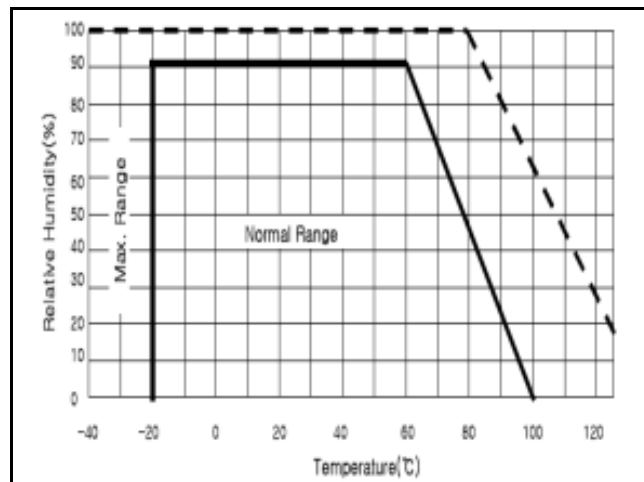


Figure 1: Operating Conditions

## 2.4 Heating

Relative humidity is a function of temperature. Therefore, sensor placement and self-heating need to be carefully understood and managed. It is crucial to keep the temperature of the humidity sensing element the same as actual environment where the RH measurement is desired to be made. Please see the following recommendations for accurate RH measurement.

- Sensor should be kept isolated from all sources of heat generation.
- Sensor should be installed on an efficient heat sink so there is no heat buildup on the sensor element and to buffer thermal effects from the power electronics, microcontrollers, displays and other heat sources.
- Telaire recommends that the sensor is operated in pulse mode. Keep the active state of the part to a minimum. A typical sampling time is in the range from 0.5-1s. (The minimum is 0.2s, and a maximum 10% duty cycle sampling time is recommended).
- Sensor operating voltage should be regulated within  $3.3 \pm 0.5V$  or  $5.0 \pm 0.5V$  depending on part number.

## 2.5 Soldering Instruction

ChipCap 2 is designed for a mass production reflow soldering process. It is qualified for soldering profile according to IPC/JEDEC J-STD-020D (see Figure 2 below) for Pb-free assembly in standard reflow soldering ovens or IR/Convection reflow ovens to withstand peak temperature at 240°C and peak time up to 40 sec. For soldering in Vapor Phase Reflow (VPR) ovens, the peak conditions are limited to  $T_p < 240^\circ C$  with  $t_p < 40\text{sec}$  and ramp-up/down speeds shall be limited to 10°C/sec. For manual soldering, contact time should be limited to 4 seconds at up to 350°C. No-Clean solder flux should be used. Do not wash the part post solder unless the sensor element has been protected.

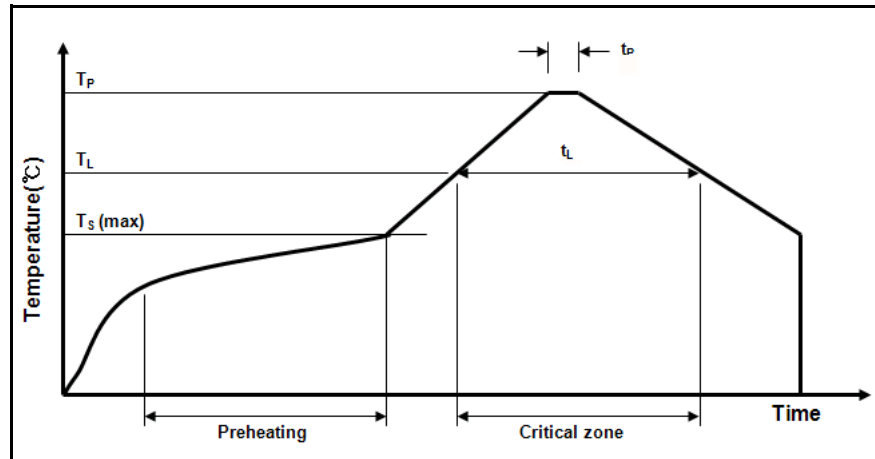


Figure 2: Soldering Profile

IPC/JEDEC standard

$T_P \leq 240^\circ\text{C}$ ,  $t_p < 40\text{sec}$ ,  $T_L < 200^\circ\text{C}$ ,  $t_L < 150\text{sec}$ .

Ramp-up/down speed  $< 5^\circ\text{C}/\text{sec}$ .

**IMPORTANT:** Test or measurement right after reflow soldering may read an offset as the sensor needs time for re-hydration. The recovery time may vary depending on reflow soldering profile and ambient storage condition.

## 2.5 Soldering Instruction (cont.)

For most of the standard reflow soldering, the following rehydration process will bring the sensor back to less than  $\pm 1\%$  RH of the original calibration state.

For most standard reflow soldering profile allow minimum 24 hours of stabilization under room environment ( $23 \pm 3^\circ\text{C}$ ,  $55 \pm 5\%$  RH)

Note: We are testing if both hydration process  $32 \pm 2^\circ\text{C}$   $85 \pm 5\%$  RH, Duration:  $45 \pm 5$  hours (Non-Baking, Max time (50 hours) and stabilization in ambient room environment) can be used.

Contact Amphenol Advanced Sensors customer support for customized recovery measures specific to your reflow soldering process.

For Land Pattern drawing and dimensions, see Figure 4 on page 8.

## 2.6 Storage and Handling Information

ChipCap 2 contains a polymer based capacitive humidity sensor sensitive to environment, and should NOT be handled as an ordinary electronic component.

Chemical vapors at high concentration may interface with the polymer layers, and, coupled, with long exposure time, may cause a shift in both offset and sensitivity of the sensor. A detailed Chemical exposure test report is available upon request.

Although the sensor endures the extreme conditions of  $-50^{\circ}\text{C}\sim 150^{\circ}\text{C}$ ,  $0\%\sim 100\%\text{RH}$  (non condensing), long term exposure in such an environment may also offset the sensor reading. Hence, once the package is opened, it is recommended to store it in a clean environment with temperature at  $5^{\circ}\text{C}\sim 55^{\circ}\text{C}$  and humidity at  $10\%\sim 70\%\text{RH}$ .

ChipCap 2 is ESD protected up to 4000V and has Latchup of  $\pm 100\text{mA}$  or (up to +8V / down to -4V) relative to VSS/VSSA, and is also packed in ESD protected shipping material. Normal ESD precautions are required when handling in the assembly process.

## 2.7 Reconditioning Procedure

If ChipCap 2 is exposed to extreme conditions or contaminated with chemical vapors, the following reconditioning procedure will recover the sensor back to calibration state.

Baking:  $120^{\circ}\text{C}$  for 6 hours and

Re-Hydration:  $30^{\circ}\text{C}$  at  $>80\%\text{RH}$  for 24 hours

## 2.8 Material Contents

ChipCap 2 consists of a sensor cell and IC (polymer /glass and silicon substrate) packaged in a surface mountable LCC (Leadless Chip Carrier) type package. The sensor housing consists of a PPS (Poly Phenylene Sulfide) cap with epoxy glob top on a standard FR4 substrate. Pads are made of Au plated Cu. The device is free of Pb, Cd and Hg.

A RoHS compliant / REACH report is available.

## 2.9 Traceability Information

ChipCap 2 is laser marked with product type and lot identification. Further information about an individual sensor is electronically stored on the chip.

The first line denotes the sensor type: CC2-A for PDM output, CC2-D for I<sup>2</sup>C output.

Lot identification is printed on the second line with a 5 digit alphanumeric code.

An electronic identification code stored on the chip can be decoded and allows for tracking on a batch level through production, calibration and testing.

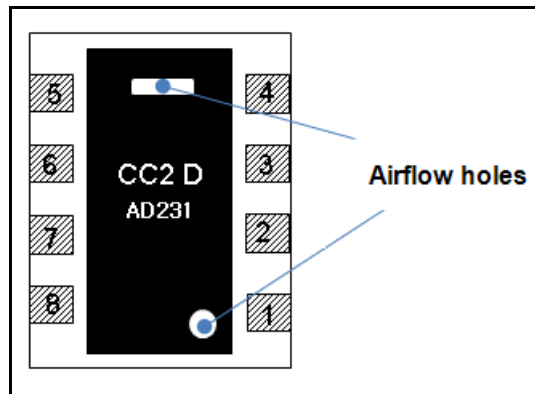


Figure 3: Laser Marking

## 2.10 Shipping Package

ChipCap 2 is provided in tape and reel shipment packaging, sealed into antistatic ESD trays. Standard packaging sizes are 2,500 or 500 units per reel. The drawing of the packaging tapes with sensor orientation and packing box dimensions are shown in Figure 4 below and Figure 5 on the next page.

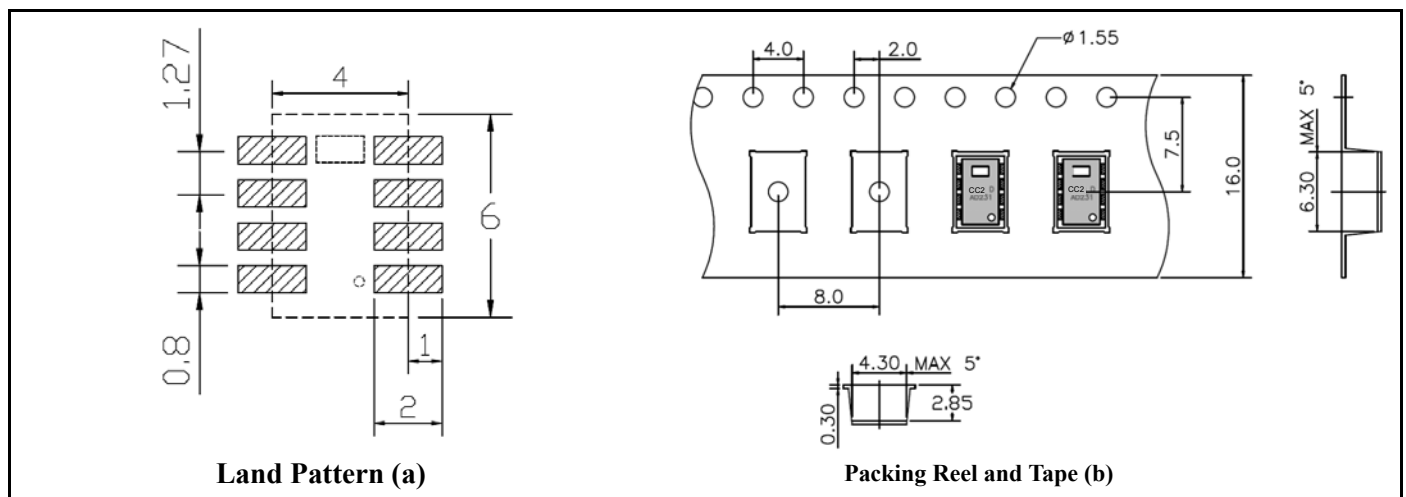


Figure 4: Packaging Tapes (all measurements in mm (inches))

## 2.10 Shipping Package (cont.)

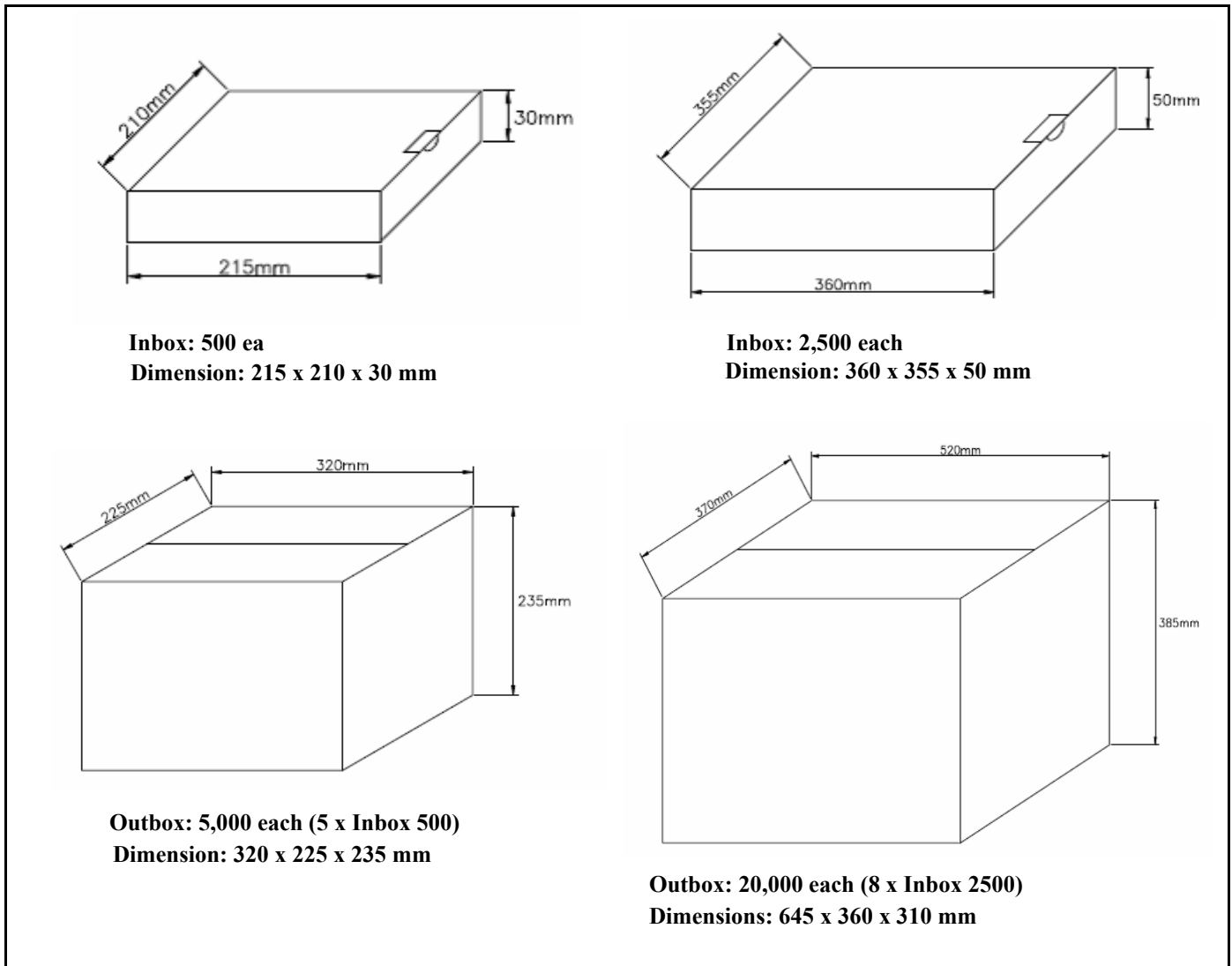


Figure 5: Packing (Box)

### 3. Interface Specification

#### 3.1 Digital Output (I<sup>2</sup>C Interface)

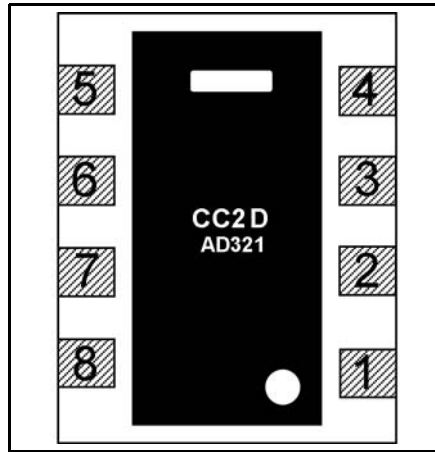


Figure 6: Pin Assignments

Table 1: Pin Assignments

Pin-No	Name	Description
1	Alarm_Low	Low alarm output
2	Ready	Ready signal (conversion complete output)
3	SDA	I <sup>2</sup> C data
4	SCL	I <sup>2</sup> C clock
5	V <sub>CORE</sub>	Core voltage
6	VSS	Ground supply
7	VDD	Supply voltage (2.3-5.5V)
8	Alarm_High	High alarm output

##### 3.1.1 Power Pads (5.V<sub>CORE</sub>, 6.VSS, 7.VDD)

ChipCap 2 is capable of operating on a wide range of power supply voltages from 2.3V to 5.5V.

The recommended supply voltage is either 3.3 ±0.5V or 5.0 ±0.5V. The power supply should be connected to VDD (power supply pad 7). VDD and VSS (Ground pad 6) should be decoupled with a 220nF capacitor.

**IMPORTANT:**  $V_{core}$  must not be connected to VDD, and it must always be connected to an external 100nF capacitor to ground. (see Figure 7, “Typical Application Circuit (I2C),” on page 11).



### 3.1.2 Serial Clock & Data Pads (3. SDA, 4. SCL)

The sensor's data is transferred in and out through the SDA pad, while the communication between ChipCap 2 and the microcontroller (MCU) is synchronized through the SCL pad.

ChipCap 2 has an internal temperature compensated oscillator that provides time base for all operation, and uses an I<sup>2</sup>C-compatible communication protocol with support for 20 KHz to 400 KHz bit rates.

External pull-up resistors are required to pull the drive signal high; they can be included in the I/O circuits of microcontroller.

Further information about timing and communication between the sensor and microcontroller is explained in Section 5, "Communicating with ChipCap2" on page 17.

### 3.1.3 Alarm Pads (1. Alarm Low, 8. Alarm High)

The alarm output can be used to monitor whether the sensor reading has exceeded or fallen below pre-programmed values. The alarm can be used to drive an open-drain load connected to VDD, or it can function as a full push-pull driver. If a high voltage application is required, external devices can be controlled with the Alarm pins, as demonstrated in Figure 22 on page 35.

The two alarm outputs can be used simultaneously, and these alarms can be used in combination with the I<sup>2</sup>C. Further information about alarm control is explained in Section 7.

- VDD and Ground is decoupled by a 220nF capacitor.
- Vcore (Not Used) and Ground is decoupled by 100nF capacitor.
- Pull-up resistors should be included between ChipCap 2 and MCU.

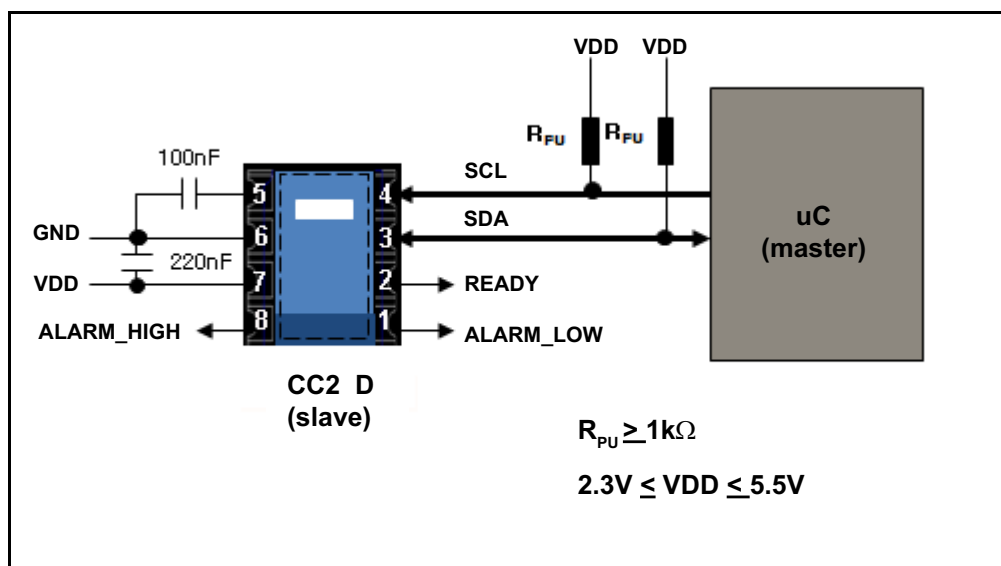


Figure 7: Typical Application Circuit (I<sup>2</sup>C)

### 3.2 Analog Output (PDM)

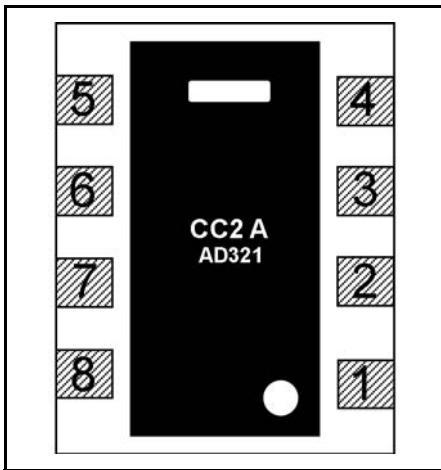


Figure 8: Pin Assignments

Table 2: Pin Assignments for Analog Output

Pin-No	Name	Description
1	PDM_T	Temperature PDM
2	PDM_H	Humidity PDM
3	SDA	I <sup>2</sup> C data (Not Used)
4	SCL	I <sup>2</sup> C clock (Not Used)
5	V <sub>CORE</sub>	Core voltage
6	VSS	Ground supply
7	VDD	Supply voltage (2.3-5.5V)
8	Alarm_High	High Alarm output

#### 3.2.1 Power Pads (5.V<sub>CORE</sub>, 6.V<sub>SS</sub>, 7.V<sub>DD</sub>)

ChipCap 2 is capable of operating on a wide range of power supply voltages from 2.3V to 5.5V. The recommended supply voltage is either  $3.3 \pm 0.5V$  or  $5.0 \pm 0.5V$ .

The power supply should be connected to VDD (power supply pad 7). VDD and VSS (Ground pad 6) should be decoupled with a 220 nF capacitor.

**IMPORTANT:**  $V_{core}$  must not be connected to VDD, and it must always be connected to an external 100 nF capacitor to ground (see Figure 9 on page 13).

### 3.2.2 PDM Output Pads (1.PDM\_T, 2.PDM\_H)

Temperature PDM (Pulse Density Modulation) appears on the PDM\_T/Alarm\_Low pad (1) and corrected Humidity PDM appears on the PDM\_H pad (2).

When pad (1) is selected for Temperature PDM, the Alarm\_Low function is disabled and only one Alarm function (Alarm\_High: pad 8) is usable.

**Note:** The ChipCap 2 PDM output is pre-programmed in the factory for Humidity and Temperature output mode.

### 3.2.3 Alarm Pads (8.Alarm\_High, 1.Alarm\_Low [optional])

As ChipCap 2 PDM is factory set for Humidity and Temperature output mode, only the High Alarm output can be used in combination with ChipCap 2 PDM.

If both high and low alarm functions are required, pads 1 and 8 will be programmed at factory to use as Alarm\_Low and Alarm\_High respectively with required high and low humidity values. In such a case, ChipCap 2 will output the corrected humidity PDM only, See Section 7 for the alarm function.

### 3.2.4 Serial Clock & Data Pads (3.SDA, 4.SCL)

For ChipCap 2 PDM output, both SDA and SCL pads are not used and must be connected to VDD.

### 3.2.5 Typical Circuit Connection

VDD and Ground are decoupled by a 220nF capacitor.  $V_{core}$  (Not Used) and Ground are also decoupled by a 100nF capacitor. SCL and SDA (not used) are connected to VDD.

Between ChipCap 2 and MCU ( $\mu C$ ), Low Pass Filtering (see Section 6.2 on “Low Pass Filtering” on page 31 for more information) with 10 k $\Omega$  resistors and 6,400 nF capacitors is added to create an analog signal.

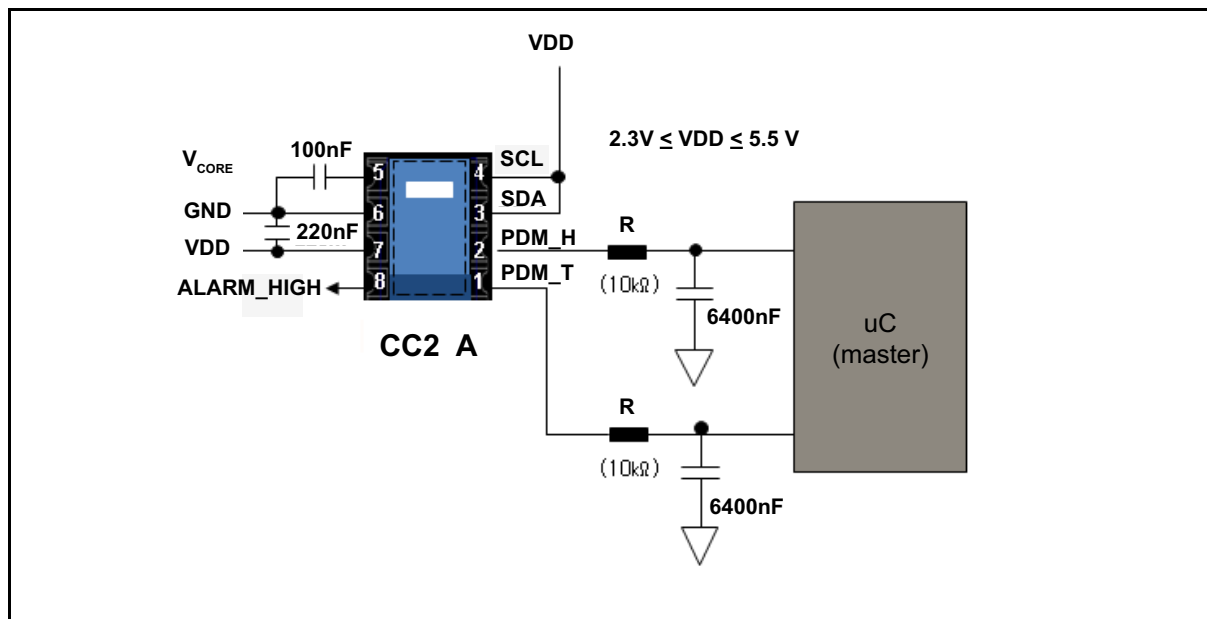


Figure 9: Typical Application Circuit (PDM)

## 4. Electrical Specification

### 4.1 Absolute Maximum Rating

Table 3 below shows the Absolute Maximum Ratings for ChipCap 2. Exposure to these extreme condition for extended period may deteriorate the sensor performance and accelerate aging. Functional operation is not implied at these conditions.

**Table 3: Absolute Maximum Rating**

Parameter	Symbol	Min	Max	Unit
Supply Voltage ( $V_{DD}$ )	$V_{DD}$	-0.3	6.0	V
Supply Voltage at I/O pads	$V_{IO}$	-0.3	$V_{DD}+0.3$	V
Storage Temperature Range	$T_{STOR}$	-55	150	°C
Junction Temperature	$T_j$	-55	150	°C

### 4.2 Electrical Specification and Recommended Operating Conditions

The operating conditions recommended for ChipCap 2 are given in Table 4 and the electrical specification is shown in Table 5 on the next page.

**Table 4: Recommended Operating Conditions**

Parameter	Symbol	Min	Typ	Max	Unit
Supply Voltage to Gnd	$V_{SUPPLY}$	2.3		5.5	V
Ambient Temperature Range	$T_{AMB}$	-40		125	°C
External Capacitance between $V_{DD}$ pin and Gnd	$C_{VSUPPLY}$	100	220	470	nF
External Capacitance between $V_{core}$ and Gnd - Sleep	$C_{V_{CORE\_SM}}$	10		110	nF
External Capacitance between $V_{core}$ and Gnd - Ground	$C_{V_{CORE\_SM}}$	90		330	nF
Pull-up on SDA and SCL	$R_{PU}$	1	2.2		k $\Omega$

Table 5: Electrical Characteristics Specifications

Parameter	Symbol	Conditions	Min	Typ	Max	Units
<b>Supply</b>						
Supply Current (varies with update rate and output mode)	$I_{DD}$	At maximum update rate		750	1100	$\mu A$
Extra Current with PDM enabled	$I_{PDM}$	At maximum update rate		150		$\mu A$
Sleep Mode Current	$I_{sleep}$	-40 to 85°C		0.6	1	$\mu A$
		-40 to 125°C		1	3	$\mu A$
<b>PDM Output</b>						
Voltage Range	$V_{PDM\_Range}$	3V±10%, 3.3V±10%, 5V±10%	10		90	% $V_{SUPPLY}$
PDM Frequency	$f_{PDM}$			$f_{SYS}/8$		KHz
Filter Settling Time <sup>1</sup>	$t_{SETT}$	0% to 90% LPFilter 10kW/400nF			9.2	ms
Ripple <sup>1</sup>	$V_{RIPP}$	0% to 90% LPFilter 10kW/400nF			1.0	mV/V
PDM Additional Error (Including Ratiometricity Error)	$E_{PDM}$	-40 to 125°C		0.1	0.5	%
<b>Digital I/O</b>						
Voltage Output Level Low	$V_{OL}$			0	0.2	$V_{SUPPLY}$
Voltage Output Level High	$V_{OH}$		0.8	1		$V_{SUPPLY}$
Voltage Input Level Low	$V_{IL}$			0	0.2	$V_{SUPPLY}$
Voltage Input Level High	$V_{IH}$		0.8	1		$V_{SUPPLY}$
<b>Total System</b>						
Start-Up-Time · Power-on (POR) to data ready	$t_{STA}$	At nominal frequency; fastest and slowest settings	4.25		55	ms
Update Rate (Update Mode)	$t_{RESP\_UP}$	Fastest and slowest settings	0.70		165	ms
Response Time (Sleep Mode)	$t_{RESP\_SL}$	Fastest and slowest settings	1.25		45	ms

1. Please refer to section 6.2 on page 31.

### 4.3 Output Pad Drive Strength

The output pad drive strength at different supply voltages and operating temperatures is shown in Table 6 and Table 7 below.

**Table 6: Output High Drive Strength**

Output High Drive Strength (mA)						
V <sub>SUPPLY</sub> (V)	-40°C		25°C		125°C	
	Min	Typ	Min	Typ	Min	Typ
2.3	3.8	6.2	3.3	5.1	2.8	4.2
2.7	7.2	10.5	5.9	8.4	4.7	6.6
3.3	12.1	16.6	9.6	12.9	7.4	10.0
5.5	20.0	20.0	20.0	20.0	20.0	20.0

**Table 7: Output Low Drive Strength**

Output Low Drive Strength (mA)						
V <sub>SUPPLY</sub> (V)	-40°C		25°C		125°C	
	Min	Typ	Min	Typ	Min	Typ
2.3	10.8	16.0	8.8	12.6	6.9	9.5
2.7	20.0	20.0	16.0	20.0	11.7	14.9
3.3	20.0	20.0	20.0	20.0	18.2	20.0
5.5	20.0	20.0	20.0	20.0	20.0	20.0

### 4.4 ESD/Latch-Up-Protection

All external module pins have ESD protection of up to 4000V and latch-up protection of  $\pm 100$  mA or (up to +8V/down to -4V) relative to VSS/VSSA. The internal module pin V<sub>CORE</sub> has ESD protection of up to 2000V. The ESD test follows the Human Body Model with 1.5k $\Omega$ /100 pF based on MIL 883, Method 3015.7.

## 5. Communicating with ChipCap 2

### 5.1 Power-On Sequence

On system power-on reset (POR), the ChipCap 2 wakes as an I<sup>2</sup>C device regardless of the output protocol programmed in EEPROM. After power-on reset, it enters the command window. It then waits for a Start\_CM command for 10 ms if Fast Startup bit is not set in EEPROM (Factory Setting) or for 3 ms if fast startup bit is set in EEPROM (see Figure 11). If the ChipCap 2 receives the Start\_CM command during the command window, it enters and remains in Command Mode.

The Command Mode is primarily used for initializing ChipCap 2.

If during the power-on sequence, the command window expires without receiving a Start\_CM or if the part receives a Start\_NOM command in Command Mode, the device will immediately assume its programmed output mode and will perform one complete measurement cycle.

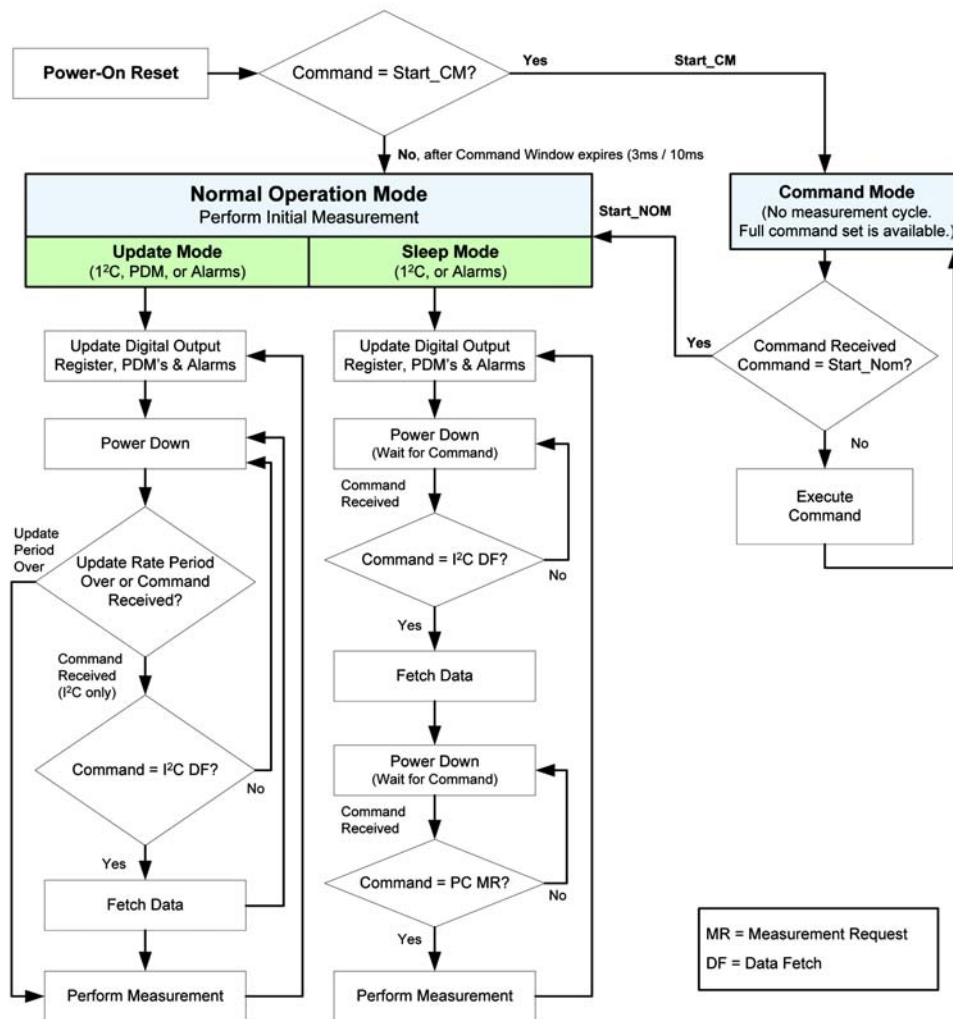


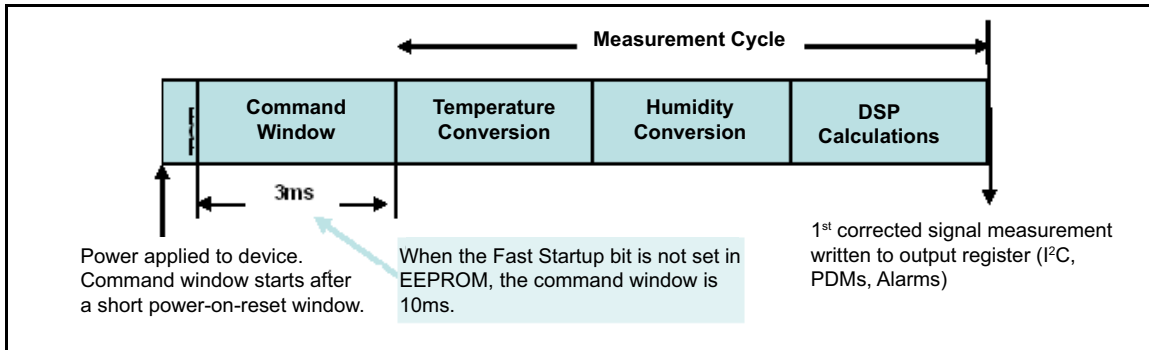
Figure 10: General Operation Schematic

## 5.2 I<sup>2</sup>C Features and Timing

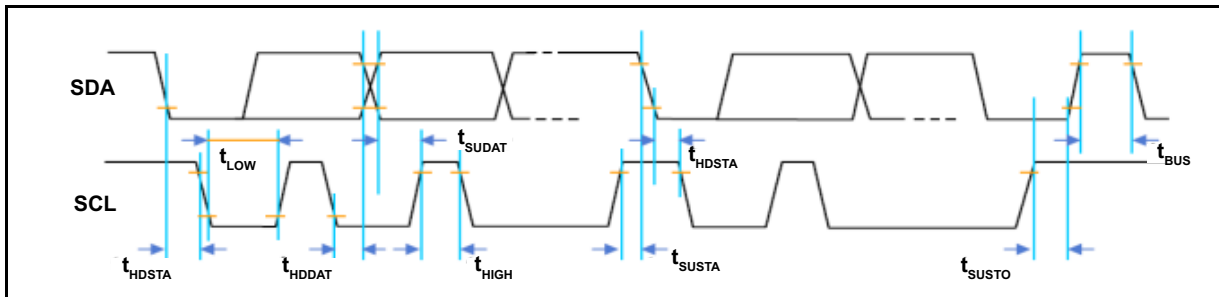
The ChipCap 2 uses I<sup>2</sup>C-compatible communication protocol with support for 20kHz and 400kHz bit rates. The I<sup>2</sup>C slave address (0x00 to 0x7F) is selected by the Device\_ID bits in the Cust\_Config EEPROM word (see Table 16 on page 37 for bit assignments).

See Figure 12 for I<sup>2</sup>C Timing Diagram and Table 8 on page 18 for definitions of the parameters shown in the diagram.

**Note:** A Detailed Timing Chart and Reference Programming Code are available upon request.



**Figure 11: Power On Sequence with Fast Start-up Bit Set in EEPROM**



**Figure 12: I<sup>2</sup>C Timing Diagram**

## 5.2 I<sup>2</sup>C Features and Timing (cont.)

**Table 8: I<sup>2</sup>C Parameters**

Parameter	Symbol	Min	Typ	Max	Units
SCL clock frequency	f <sub>SCL</sub>	20		400	kHz
Start condition hold time relative to SCL edge	t <sub>HDSTA</sub>	0.1			μs
Minimum SCL clock low width <sup>1</sup>	t <sub>LOW</sub>	0.6			μs
Minimum SCL clock high width <sup>1</sup>	t <sub>HIGH</sub>	0.6			μs
Start condition setup time relative to SCL edge	t <sub>SUSTA</sub>	0.1			μs
Data hold time on SDA relative to SCL edge	t <sub>HDDAT</sub>	0		0.5	μs



**Table 8: I<sup>2</sup>C Parameters**

Data setup time on SDA relative to SCL edge	$t_{\text{SUDAT}}$	0.1			$\mu\text{s}$
Stop condition setup time on SCL	$t_{\text{SUSTO}}$	0.1			$\mu\text{s}$
Bus free time between stop condition and start condition	$t_{\text{BUS}}$	1			$\mu\text{s}$

1. Combined low and high widths must equal or exceed minimum SCL period.

### 5.3 Measurement Modes

The ChipCap 2 can be programmed to operate in either Sleep Mode or Update Mode. The measurement mode is selected with the Measurement\_Mode bit in the ChipCap 2 Config Register word. In Sleep Mode, the part waits for commands from the master before taking measurements (see section 5.3.2 below).

#### 5.3.1 Data Fetch in Update Mode

In Update Mode, I<sup>2</sup>C is used to fetch data from the digital output register using a Data Fetch (DF) command.

Detecting when data is ready to be fetched can be handled either by polling or by monitoring the Ready pin (see section 5.8 on page 25 for details on the Ready pin). The status bits of a DF tell whether or not the data is valid or stale (see Table 9 on page 22 regarding the status bits). As shown in Figure 13 below, after a measurement cycle is complete, valid data can be fetched. If the next data fetch is performed too early, the data will be the same as the previous fetch with stale status bits. As shown in Figure 13 below, a rise on the Ready pin can also be used to tell when valid data is ready to be fetched.

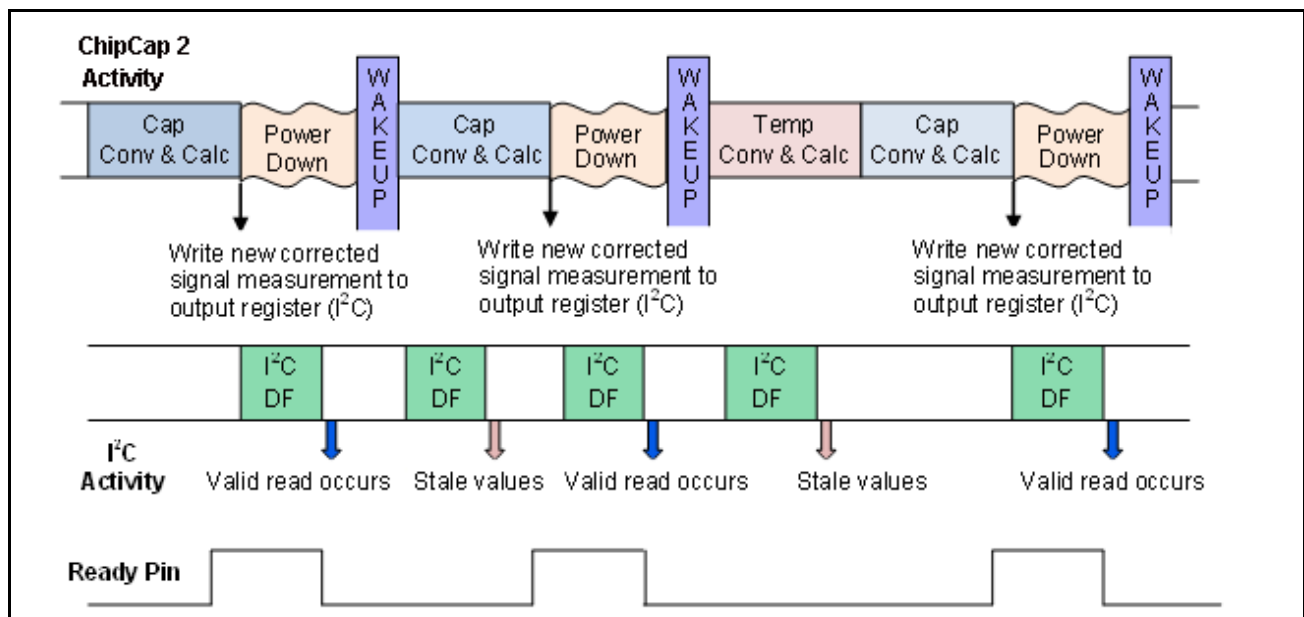


Figure 13: I<sup>2</sup>C Data Fetching in Update Mode

#### 5.3.2 Data Fetch in Sleep Mode

In Sleep Mode, the ChipCap 2 core will only perform conversions when ChipCap 2 receives a Measurement Request command (MR); otherwise, the ChipCap 2 is always powered down. Measurement Request commands can only be sent using I<sup>2</sup>C, so Sleep Mode is *not available* for PDM. The Alarms can be used in Sleep Mode but only in combination with I<sup>2</sup>C.

**Note:** *Sleep Mode power consumption is significantly lower than Update Mode power consumption (see Table 5 on page 15 for exact values).*

### 5.3.2 Data Fetch in Sleep Mode (cont.)

Figure 14 below shows the measurement and communication sequence for Sleep Mode. The master sends an MR command to wake the ChipCap 2 from power down. After ChipCap 2 wakes up, a measurement cycle is performed consisting of both a temperature and a capacitance conversion followed by the ChipCap 2 Core correction calculations.

At the end of a measurement cycle, the digital output register and alarms will be updated before powering down. An I<sup>2</sup>C data fetch (DF) is performed during the power-down period to fetch the data from the output register. In I<sup>2</sup>C the user can send another MR to start a new measurement cycle without fetching the previous data. After the data has been fetched, the ChipCap 2 remains powered down until the master sends an MR command.

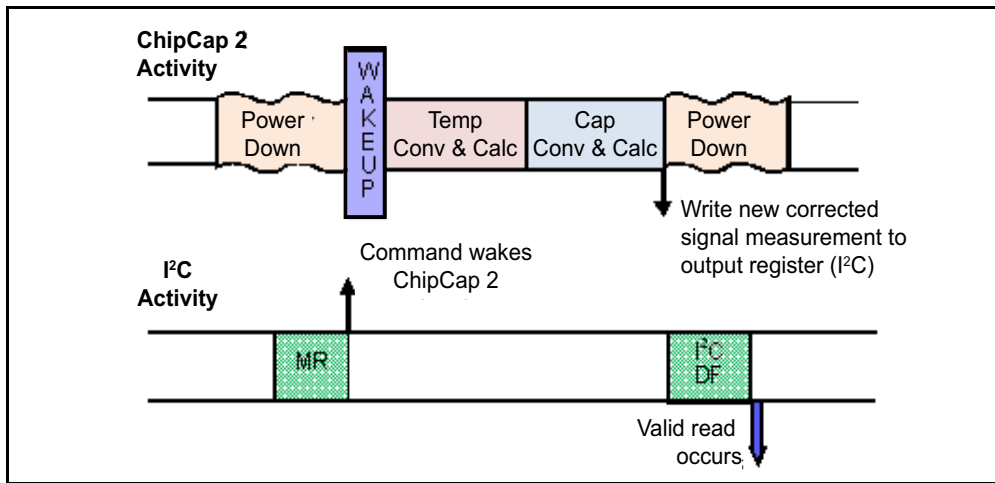


Figure 14: Measurement Sequence in Sleep Mode

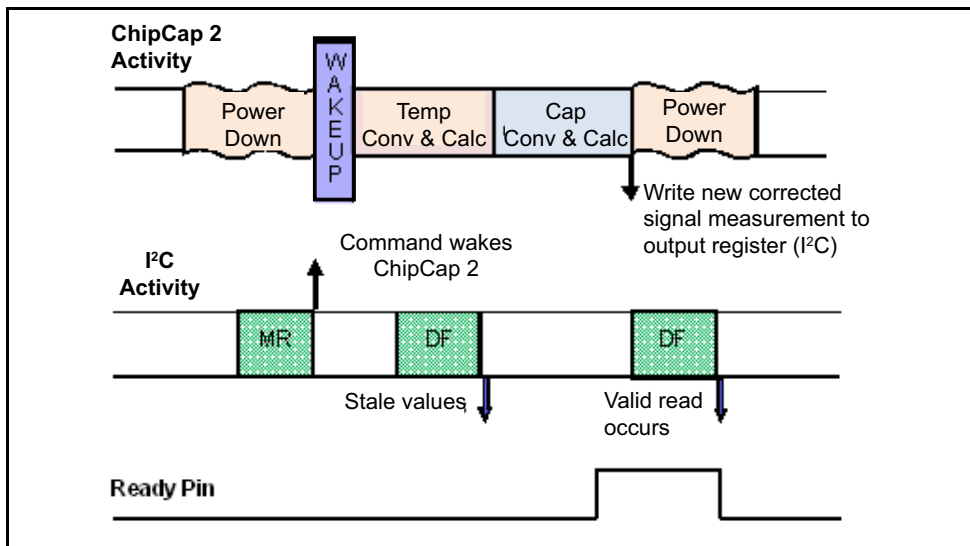


Figure 15: I<sup>2</sup>C Data Fetching in Sleep Mode

### 5.3.2 Data Fetch in Sleep Mode (cont.)

In Sleep Mode, I<sup>2</sup>C are used to request a measurement with a MR command and to fetch data from the digital output register using a Data Fetch (DF) command (see section 5.7 on page 25 for details on the MR command).

Detecting when data is ready to be fetched can be handled either by polling or by monitoring the Ready pin (see section 5.8 on page 25 for details on the Ready pin). The status bits of a DF tell whether the data is valid or stale (see section 5.4 regarding the status bits). As shown in Figure 15 on the previous page, after a measurement cycle is complete, valid data can be fetched. If the next data fetch is performed too early, the data will be the same as the previous fetch with stale status bits. A rise on the Ready pin (Figure 15) can also be used to tell when valid data is ready to be fetched.

## 5.4 Status Bits

Status bits (the two MSBs of the fetched high data byte, see Table 9 below) are provided in I<sup>2</sup>C but not in PDM. The status bits are used to indicate the current state of the fetched data.

**Table 9: Status Bits**

Status Bits (I <sup>2</sup> C)	PDM Output	Definition
00B	Clipped normal output	Valid data: Data that has not been fetched since the last measurement cycle.
01B	Not applicable	Stale data: Data that has already been fetched since the last measurement cycle.
10B	Not applicable	Command Mode: The ChipCap 2 is in Command Mode.
11B	Not used	Not used

## 5.5 I<sup>2</sup>C Commands

As detailed in Table 10 below, there are two types of commands which allow the user to interface with the ChipCap 2 in the I<sup>2</sup>C.

**Table 10: I<sup>2</sup>C Command Bits**

Type	Description	Communication Supported	Reference Sections
Data Fetch (DF)	Used to fetch data in any digital mode	I <sup>2</sup> C	Section 5.6
Measurement Request (MR)	Used to start measurements in Sleep Mode	I <sup>2</sup> C	Section 5.7

## 5.6 Data Fetch (DF)

The Data Fetch (DF) command is used to fetch data in any digital output mode.

An I<sup>2</sup>C Data Fetch command starts with the 7-bit slave address and the 8th bit = 1 (READ).

The ChipCap 2 as the slave sends an acknowledgement (ACK) indicating success.

The number of data bytes returned by the ChipCap 2 is determined by when the master sends the NACK and stop condition. Figure 16 on page 24 shows examples of fetching two, three and four bytes respectively.

The full 14 bits of humidity data are fetched in the first two bytes. The MSBs of the first byte are the status bits.

If temperature data is needed, additional temperature bytes can be fetched. In Figure 16 on page 24, the three-byte data fetch returns 1 byte of temperature data (8-bit accuracy) after the humidity data. A fourth byte can be fetched where the six MSBs of the fetched byte are the six LSBs of a 14-bit temperature measurement. The last two bits of the fourth byte are undetermined and should be masked off in the application.

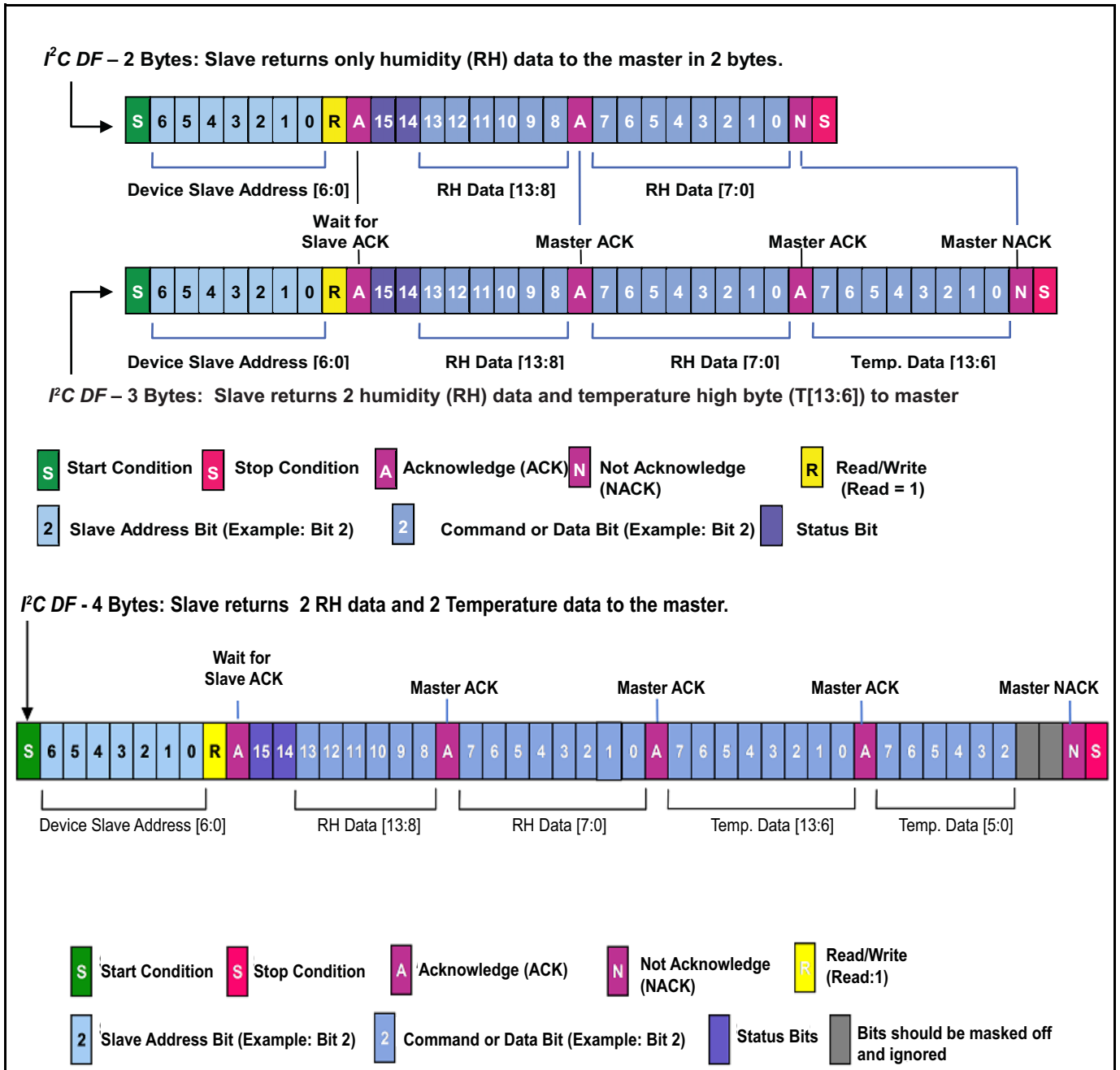


Figure 16: I<sup>2</sup>C Measurement Packet Reads

### 5.6 Data Fetch (DF) (cont.)

Humidity & Temperature Conversion Formula	
Humidity Output (%RH)	$(RH\_High [5:0] \times 256 + RH\_Low [7:0]) / 2^{14} \times 100$
Temperature Output (°C)	$(Temp\_High [7:0] \times 64 + Temp\_Low [7:2] / 4) / 2^{14} \times 165 - 40$

### 5.7 Measurement Request (MR)

A measurement request (MR) is a Sleep-Mode-only command sent by the master to wake up the ChipCap 2 and start a new measurement cycle in I<sup>2</sup>C.

The I<sup>2</sup>C MR is used to wake up the device in Sleep Mode and start a complete measurement cycle starting with a temperature measurement, followed by a humidity measurement, and then the results can be fetched by master with I<sup>2</sup>C.

As shown in Figure 17 below, the communication contains only the slave address and the WRITE bit (0) sent by the master.

After the ChipCap 2 responds with the slave ACK, the master creates a stop condition.

**Note:** *The I<sup>2</sup>C MR function can also be accomplished by sending “don't care” data after the address instead of immediately sending a stop bit.*

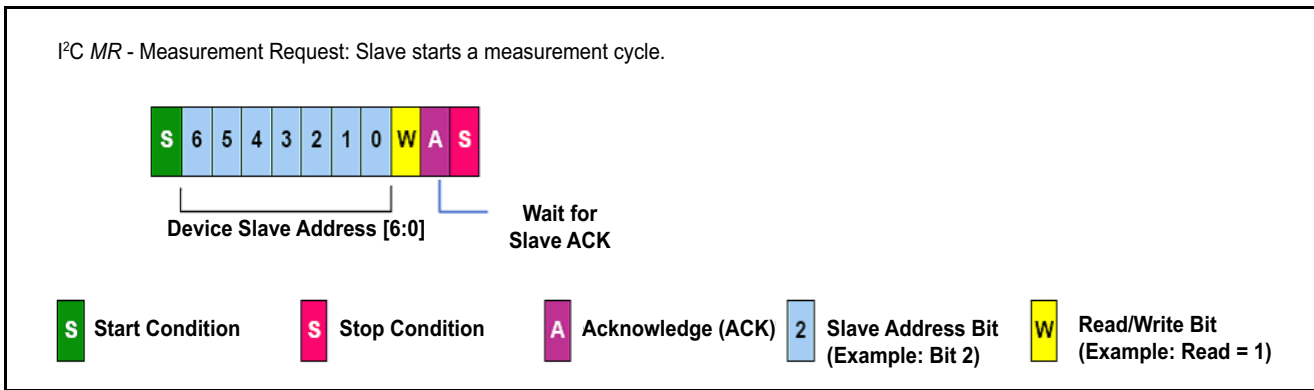


Figure 17: I<sup>2</sup>C Measurement Request

### 5.8 Ready Pin

A rise on the Ready pin indicates that new data is ready to be fetched from the I<sup>2</sup>C interface. The Ready pin stays high until a Data Fetch (DF) command is sent; it stays high even if additional measurements are performed before the DF.

The Ready pin's output driver type is selectable as either full push-pull or open drain using the Ready\_Open\_Drain bit in EEPROM word Cust\_Config (see Table 16 on page 37 for bit assignments and settings). Point-to-point communication most likely uses the full push-pull driver. If an application requires interfacing to multiple parts, then the open drain option can allow for just one wire and one pull-up resistor to connect all the parts in a bus format.

## 5.9 Command Mode

Command Mode commands are only supported for the I<sup>2</sup>C protocol. As shown in Figure 18 below, commands are 4-byte packets with the first byte being a 7-bit slave address followed by 0 for write. The second byte is the command byte and the last two bytes form a 16-bit data field.

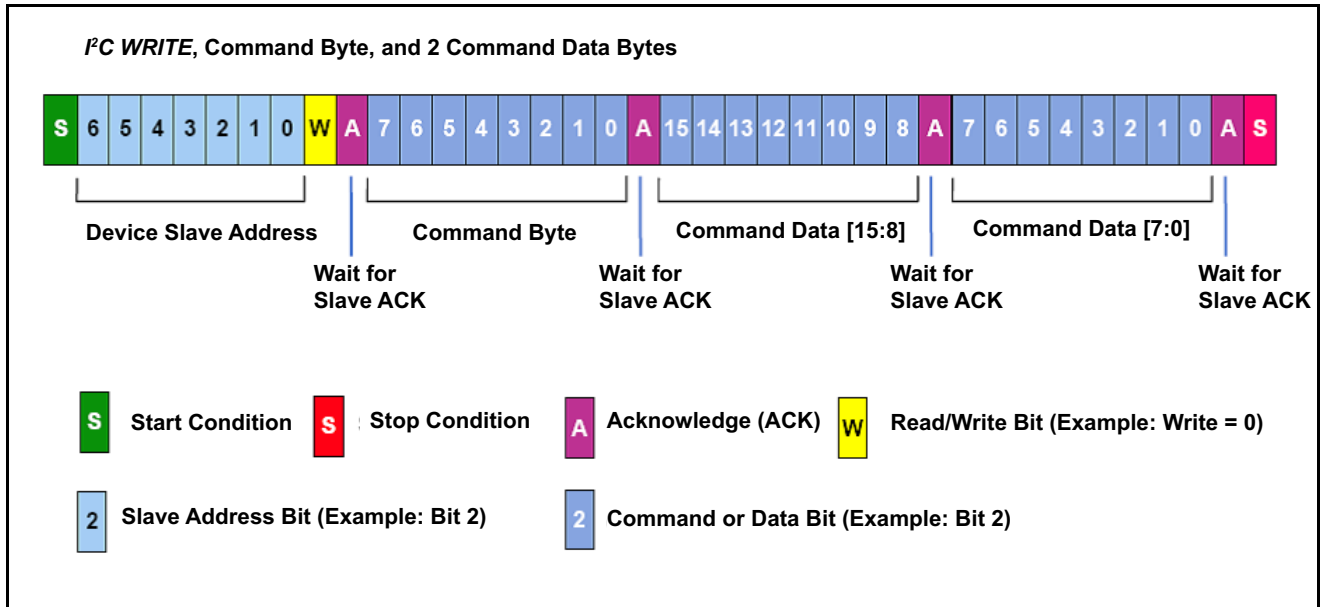


Figure 18: I<sup>2</sup>C Command Format



## 5.10 Command Encodings

Table 11 describes all the commands that are offered in Command Mode.

**Note:** *Only the commands listed in Table 11 are valid. Other encodings might cause unpredictable results. If data is not needed for the command, zeros must be supplied as data to complete the 4-byte packet.*

**Table 11: Command List and Encodings**

Command Byte 8 Command Bits (Hex)	Third and Fourth Bytes 16 Data Bits (Hex)	Description	Response Time
0x16 to 0x1F	0x0000	EEPROM Read of addresses 0x16 to 0x1F After this command has been sent and executed, a data fetch must be performed.	100µs
0x56 0x5F	0xYYYY (Y = data)	Write to EEPROM addresses 0x16 to 0x1F The 2 bytes of data sent will be written to the address specified in the 6 LSBs of the command byte	12ms
0x80	0x0000	Start_NOM Ends Command Mode and transitions to Normal Operation Mode.	
0xA0	0x0000	Start_CM Start Command Mode: used to enter the command interpreting mode. Start_CM is only valid during the power-on command window.	100µs

## 5.11 Command Response and Data Fetch

After a command has been sent and the execution time defined in Table 11 has expired, an I<sup>2</sup>C Data Fetch (DF) can be performed to fetch the response. As shown in Figure 19 on page 29, after the slave address has been sent, the first byte fetched is the response byte.

The upper two status bits will always be 10<sub>B</sub> to represent Command Mode. The lower two bits are the response bits. Table 12 on page 28 describes the different responses that can be fetched. To determine if a command has finished executing, poll the part until a Busy response is no longer received. The middle four bits of the response byte are command diagnostic bits where each bit represents a different diagnostic (see Table 13 on page 28).

**Note:** *Regardless of what the response bits are, one or more of the diagnostic bits may be set indicating an error occurred during the execution of the command.*

**Note:** *Only one command can be executed at a time. After a command is sent another command must not be sent until the execution time of the first command defined in Table 11 above has expired.*

### 5.11 Command Response and Data Fetch (cont.)

For all commands except EEPROM Read and Get Revision, the data fetch should be terminated after the response byte is read. If the command was a Get Revision, then the user will fetch a one byte Revision as shown in Figure 19 on page 29, example 2.

The revision is coded with the upper nibble being the letter corresponding to a full layer change and the lower nibble being the metal change number, for example A0. If the command was an EEPROM Read, then the user will fetch two more bytes as shown in Figure 19 on page 29, example 3.

If a Corrected EEPROM Error diagnostic was flagged after an EEPROM read, the user has the option to write this data back to attempt to fix the error. Instead of polling to determine if a command has finished executing, the user can use the Ready pin. In this case, wait for the Ready pin to rise, which indicates that the command has executed. Then a data fetch can be performed to get the response and data (see Figure 19 on page 29).

**Table 12: Response Bits**

Encoding	Name	Description
00 <sub>B</sub>	Busy	The command is busy executing.
01 <sub>B</sub>	Positive Acknowledge	The command executed successfully.
10 <sub>B</sub>	Negative Acknowledge	The command was not recognized or an EEPROM write was attempted while the EEPROM was locked.

**Table 13: Command Diagnostic Bits**

Bit Position	Name	Description
2	Corrected EEPROM Error	A corrected EEPROM error occurred in execution of the last command.
3	Uncorrectable EEPROM Error	An uncorrectable EEPROM error occurred in execution of the last command.
4	RAM Parity Error	A RAM parity error occurred during a microcontroller instruction in the execution of the last command.
5	Configuration Error	An EEPROM or RAM parity error occurred in the initial loading of the configuration registers.

### 5.11 Command Response and Data Fetch (cont.)

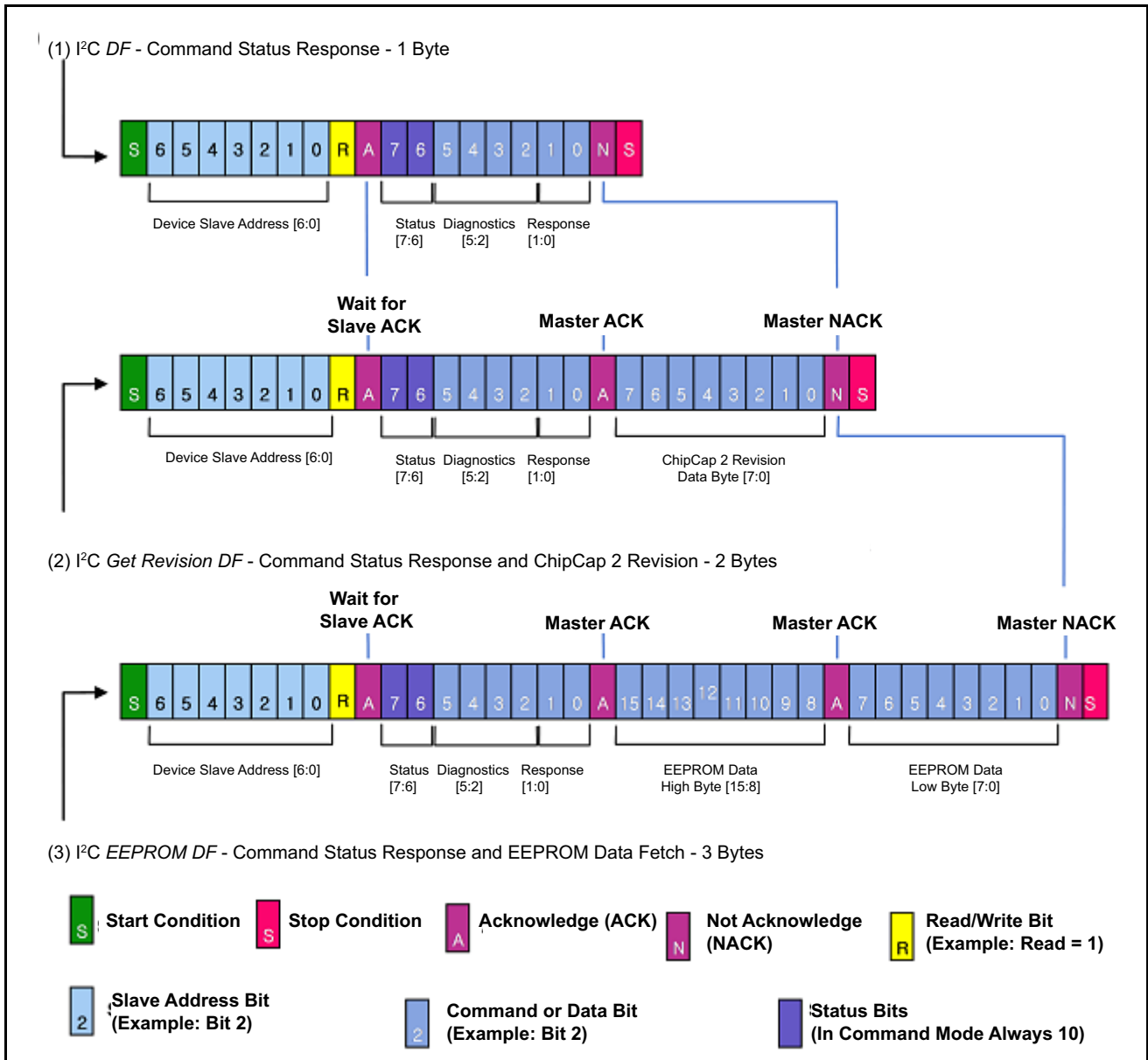


Figure 19: Command Mode Data Fetch

### 5.12 EEPROM

The EEPROM array contains the calibration coefficients for gain and offset, etc., and the configuration bits for the analog front end, output modes, measurement modes, etc. The ChipCap 2 EEPROM is arranged as 10 16-bit words (see Table 14 on page 30).

See section 5.9, “Command Mode” on page 26, for instructions on reading and writing to the EEPROM in Command Mode via the I<sup>2</sup>C interface. When programming the EEPROM, an internal charge pump voltage is used; therefore, a high voltage supply is not needed.

**Table 14: EEPROM Word Assignments**

EEPROM Word	Bit Range	IC Default	Name	Description and Notes
16 <sub>HEX</sub>	13:0	0x3FFF	PDM_Clip_High	PDM high clipping limit
17 <sub>HEX</sub>	13:0	0x0000	PDM_Clip_Low	PDM low clipping limit
18 <sub>HEX</sub>	13:0	0x3FFF	Alarm_High_On	High alarm on trip point
19 <sub>HEX</sub>	13:0	0x3FFF	Alarm_High_Off	High alarm off trip point
1A <sub>HEX</sub>	13:0	0x0000	Alarm_Low_On	Low alarm on trip point
1B <sub>HEX</sub>	13:0	0x0000	Alarm_Low_Off	Low alarm off trip point
1C <sub>HEX</sub>	15:0	0x0028	Cust_Config	Customer Configuration (see Table 16 on page 37)
1D <sub>HEX</sub>	15:0	0x0000	Reserved	Reserved Word: <b>Do Not Change</b> ; must leave at factory settings
1E <sub>HEX</sub>	15:0	0x0000	Cust_ID2	Customer ID byte 2: For use by customer
1F <sub>HEX</sub>	15:0	0x0000	Cust_ID3	Customer ID byte 3: For use by customer

## 6. Converting PDM to Analog Signal

### 6.1 PDM (Pulse Density Modulation)

Both corrected humidity and temperature are available in PDM output. Humidity PDM appears on PDM\_H (2) pad and Temperature PDM appears on the PDM\_T (1) pad.

The PDM frequency is 231.25 kHz  $\pm$ 15% (i.e., the oscillator frequency 1.85 MHz  $\pm$ 15% divided by 8). Both PDMs output 14-bit values for Humidity and Temperature.

In PDM Mode, ChipCap 2 is programmed to Update Mode. Every time a conversion cycle has finished, the PDM will begin outputting the new value.

See Figure 20 below for the PDM Timing Diagram.

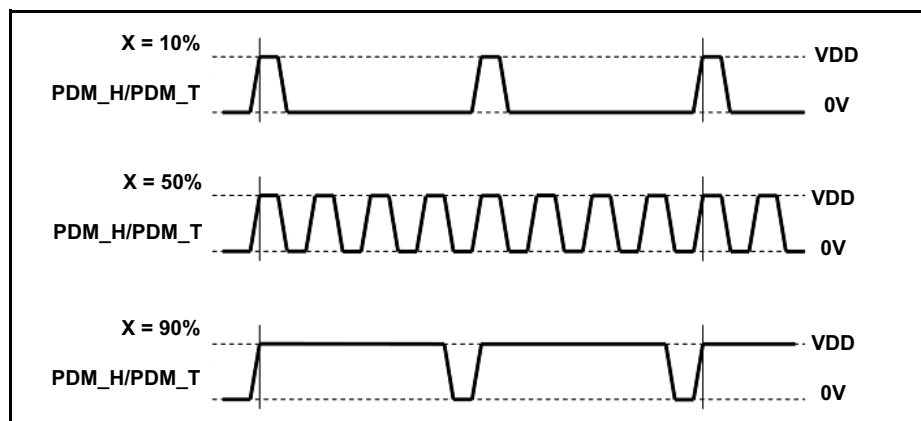


Figure 20: PDM Signal Timing Diagram

### 6.2 Low Pass Filtering

An analog output value is created by low-pass filtering the PDM output; a simple first-order RC filter will work in this application.

Select the time constant of the filter based on the requirements for settling time and/or peak-to-peak ripple.

**IMPORTANT:** *The resistor of the RC filter must be  $\geq 10$  k $\Omega$ .*

Table 15: Low Pass Filter Example for R=10 k $\Omega$

Filter Capacitance (nF)	PDM_H / PDM_T		Desired Analog Output Resolution
	Vpp Ripple (mV/V)	0 to 90% settling time (ms)	
100	4.3	2.3	8
400	1.0	9.2	10
1600	0.3	36.8	12
6400	0.1	147.2	14

## 6.2 Low Pass Filtering (cont.)

For a different (higher) resistor, the normalized ripple VPP (mV/V) can be calculated as:

$$VPP \text{ (mV/V)} = 4324 / [R(\text{k}\Omega) * C(\text{nF})]$$

Or the setting time  $t_{\text{SETT}}$  for a 0% to 90% setting can be calculated as:

$$t_{\text{SETT}} \text{ (ms)} = 0.0023 * R(\text{k}\Omega) * C(\text{nF})$$

## 6.3 Analog Output Characteristics

### 6.3.1 Polynomial Equation Humidity

$$PDM\_H \text{ [mV]} = \%RH / 100 * VDD \text{ [mV]}$$

### 6.3.2 Polynomial Equation Temperature

$$PDM\_T \text{ [mV]} = ((T[^\circ\text{C}] / 165) + 0.2424) * VDD[\text{mV}]$$

## 7. Alarm Function (Optional)

### 7.1 Alarm Output

The alarm output can be used to monitor whether the Humidity reading has exceeded or fallen below pre-programmed values. The alarm can be used to drive an open-drain load connected to VDD as shown in Figure 23 on page 35 or it can function as a full push-pull driver. If a high voltage application is required, external devices can be controlled with the Alarm pads, as demonstrated in Figure 21 on page 34 and Figure 22 on page 35.

In standard ChipCap 2 PDM mode, only the High Alarm can be used.

### 7.2 Alarm Registers

Four registers are associated with the alarm functions: Alarm\_High\_On, Alarm\_High\_Off, Alarm\_Low\_On, and Alarm\_Low\_Off (see Table 14 on page 30 for EEPROM addresses). Each of these four registers is a 14-bit value that determines where the alarms turn on or off. The two high alarm registers form the output with hysteresis for the Alarm\_High pin, and the two low alarm registers form the output with hysteresis for the Alarm\_Low pin. Each of the two alarm pins can be configured independently using Alarm\_Low\_Cfg and Alarm\_High\_Cfg located in EEPROM word Cust\_Config (see Table 16 on page 37 for bit assignments).

**Note:** *If two high alarms or two low alarms are needed, see the section Alarm Polarity on the next page.*

### 7.3 Alarm Operation

As shown in Figure 24 on page 36, the Alarm\_High\_On register determines where the high alarm trip point is and the Alarm\_High\_Off register determines where the high alarm turns off if the high alarm has been activated. The high alarm hysteresis value is equal to Alarm\_High\_On - Alarm\_High\_Off. The same is true for the low alarm where Alarm\_Low\_On is the low alarm trip point with Alarm\_Low\_Off determining the alarm shut off point. The low alarm hysteresis value is equal to Alarm\_Low\_Off - Alarm\_Low\_On. Figure 25 on page 36 shows output operation flowcharts for both the Alarm\_High and Alarm\_Low pins.

### 7.4 Alarm Output Configuration

The user can select the output driver configuration for each alarm using the Output Configuration bit in the Alarm\_High\_Cfg and Alarm\_Low\_Cfg registers in EEPROM word Cust\_Config (see Table 16 on page 37 for bit assignments). For applications, such as interfacing with a microcontroller or controlling an external device, select the full push-pull driver for the alarm output type. For an application that directly drives a load connected to VDD, the typical selection is the open-drain output type. An advantage of making an alarm output open drain is that in a system with multiple devices, the alarm outputs of each ChipCap 2 can be connected together with a single pull-up resistance so that one can detect an alarm on any device with a single wire.

## 7.5 Alarm Polarity

For both alarm pins, the polarity of the alarm output is selected using the Alarm Polarity bit in the Alarm\_High\_Cfg and Alarm\_Low\_Cfg registers in EEPROM word Cust\_Config (see Table 16 on page 37 for bit assignments). Another feature of the polarity bits is the ability to create two high alarms or two low alarms. For example, with applications requiring two high alarms, flip the polarity bit of the Alarm\_Low pin, and it will act as a high alarm.

However, in this case, the effect of the alarm low registers is also changed: the Alarm\_Low\_On register would act like the Alarm\_High\_Off register and the Alarm\_Low\_Off register would act like the Alarm\_High\_On register. The same can be done to achieve two low alarms: the Alarm\_High pin would have the polarity bit flipped, and the two Alarm\_High registers would have opposite meanings.

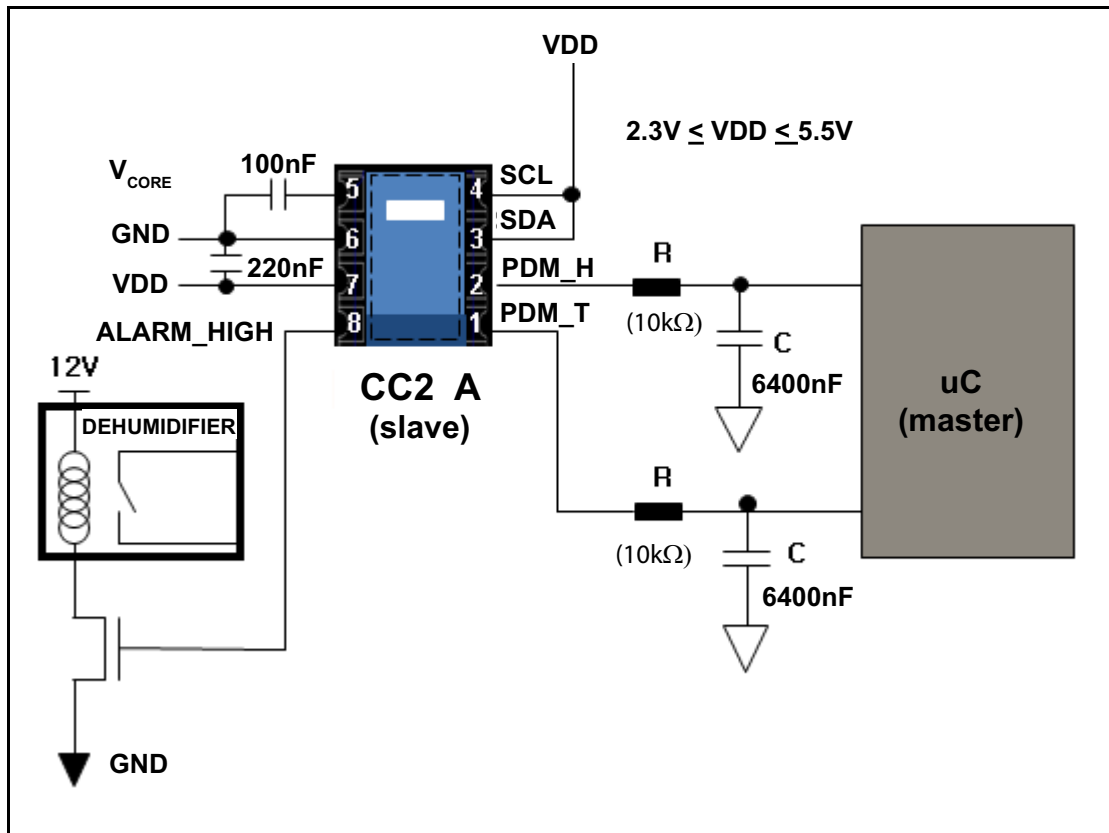
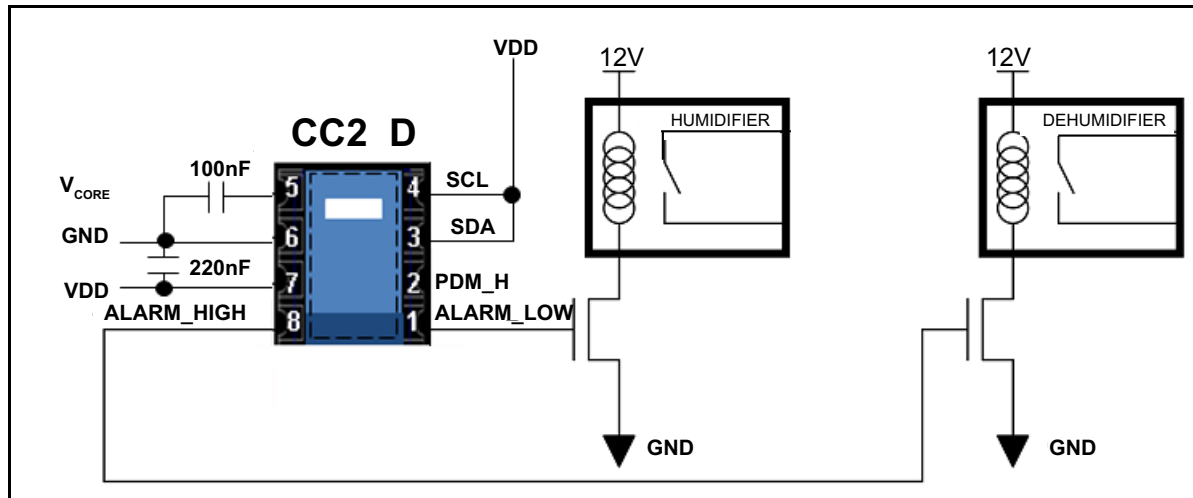


Figure 21: Bang-Bang Humidity Control (High Voltage Application):  
ChipCap 2 PDM: 1 Alarm/Humidity Output (Optional)

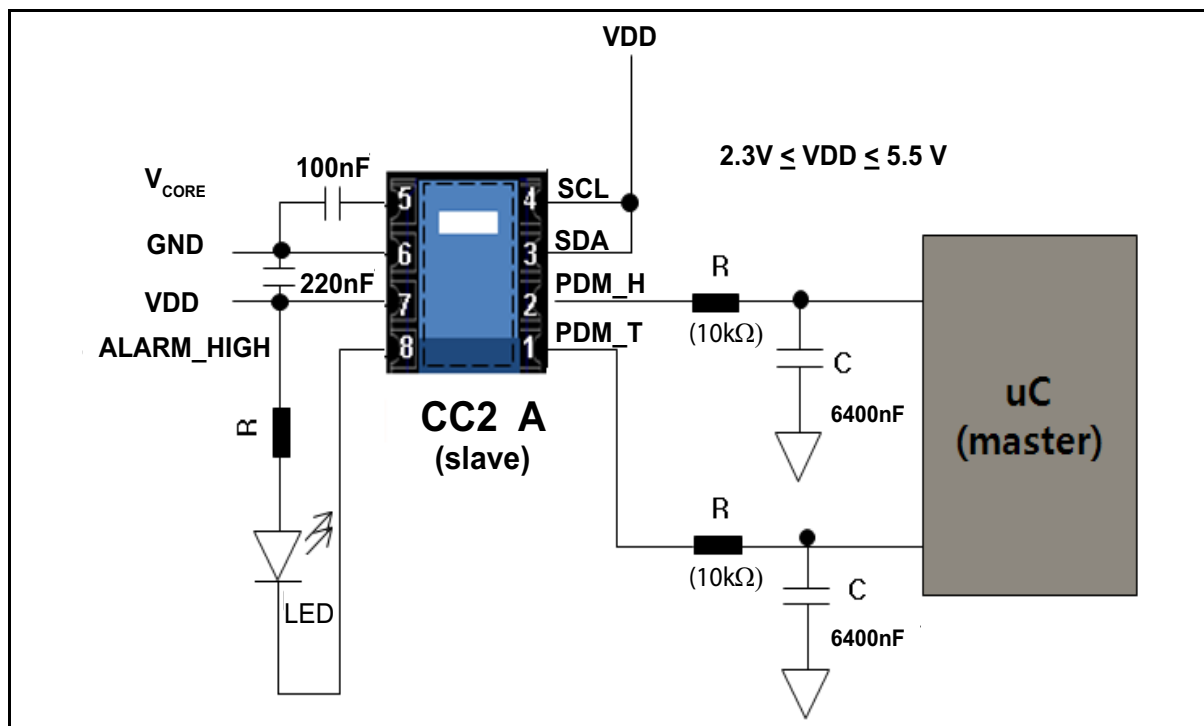


### 7.5 Alarm Polarity (cont.)



**Figure 22: Bang-Bang Humidity Control (High Voltage Application):  
ChipCap 2 I<sup>2</sup>C:2 Alarms / Humidity Output (Optional)**

ChipCap 2 also can be directly installed to a device without MCU interface when only a switch on/off function is required at the desired humidity level (e.g., bathroom vent fan, humidifiers, dehumidifiers).



**Figure 23: LED control with Alarm Function  
ChipCap 2 PDM: 1 Alarm/ Humidity Output (Optional)**

### 7.5 Alarm Polarity (cont.)

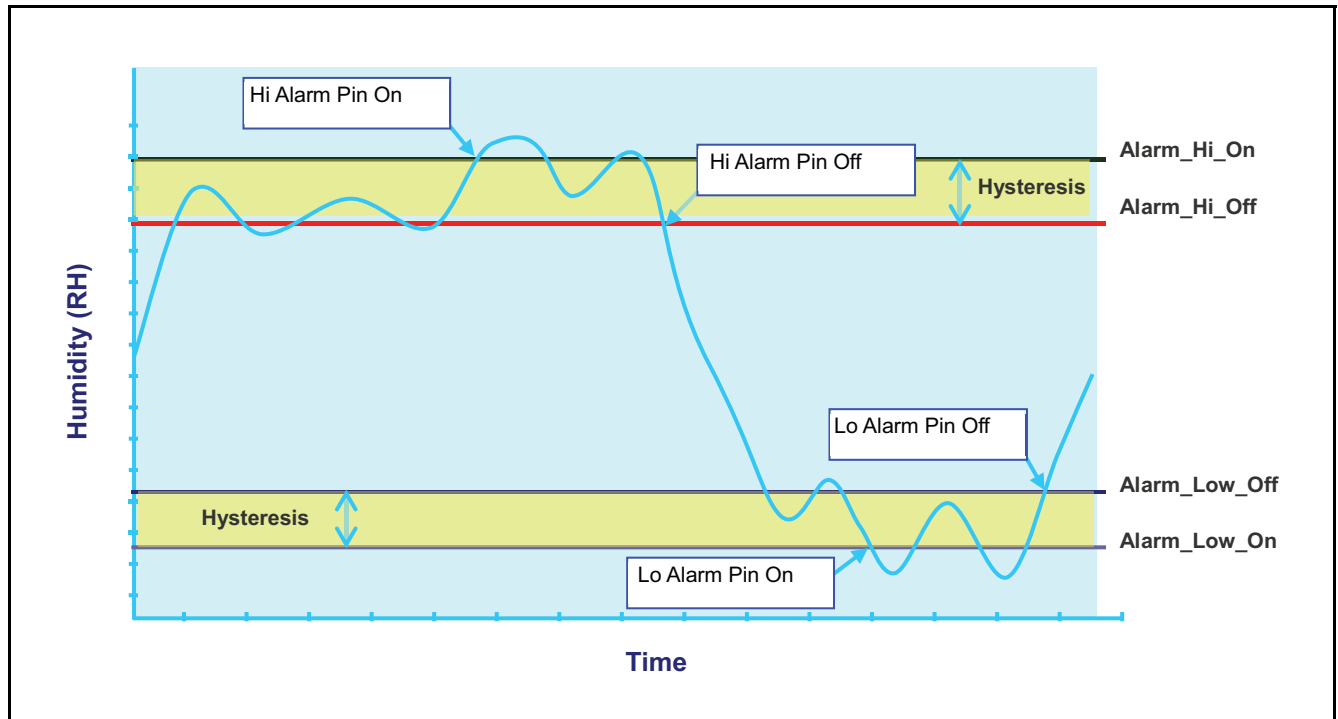


Figure 24: Example of Alarm Function

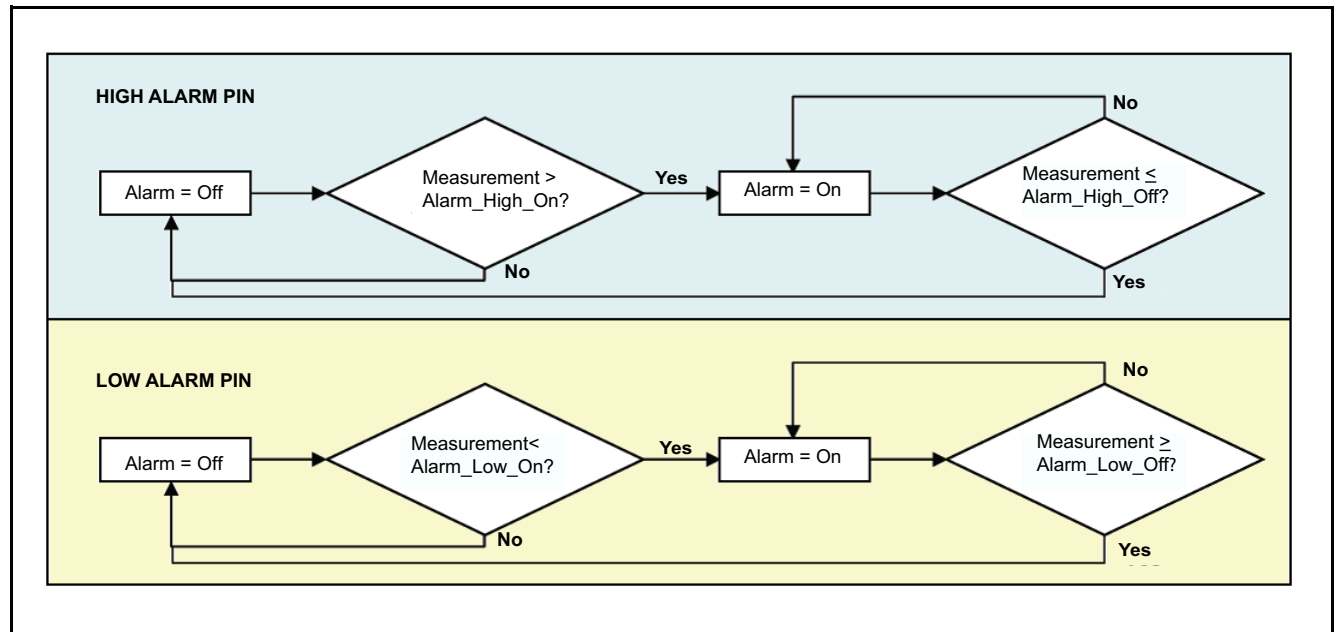


Figure 25: Alarm Output Flow Chart

## 7.5 Alarm Polarity (cont.)

Table 16: Cust\_Config Bit Assignments

Bit Range	IC Default	Name	Description and Notes						
6:0	0101000	Device_ID	I <sup>2</sup> C slave address						
8:7	00	Alarm_Low_Cfg	Configure the Alarm_Low output pin: <table border="1" data-bbox="935 459 1292 737"> <thead> <tr> <th>Bits</th> <th>Description</th> </tr> </thead> <tbody> <tr> <td>7</td> <td>Alarm Polarity 0 = Active High 1 = Active Low</td> </tr> <tr> <td>8</td> <td>Output Configuration 0 = Full push-pull 1 = Open Drain</td> </tr> </tbody> </table>	Bits	Description	7	Alarm Polarity 0 = Active High 1 = Active Low	8	Output Configuration 0 = Full push-pull 1 = Open Drain
Bits	Description								
7	Alarm Polarity 0 = Active High 1 = Active Low								
8	Output Configuration 0 = Full push-pull 1 = Open Drain								
10:9	00	Alarm_High_Cfg	Configure the Alarm_High output pin: <table border="1" data-bbox="935 840 1292 1117"> <thead> <tr> <th>Bits</th> <th>Description</th> </tr> </thead> <tbody> <tr> <td>9</td> <td>Alarm Polarity 0 = Active High 1 = Active Low</td> </tr> <tr> <td>10</td> <td>Output Configuration 0 = Full push-pull 1 = Open Drain</td> </tr> </tbody> </table>	Bits	Description	9	Alarm Polarity 0 = Active High 1 = Active Low	10	Output Configuration 0 = Full push-pull 1 = Open Drain
Bits	Description								
9	Alarm Polarity 0 = Active High 1 = Active Low								
10	Output Configuration 0 = Full push-pull 1 = Open Drain								
*12	0	Ready_Open_Drain	Ready pin is 0 = Full push-pull 1 = Open drain						
*13	0	Fast_Startup	Sets the Command Window length: 0 = 10 ms Command Window 1 = 3 ms Command Window						
15:14	00	Reserved	<b>Do Not Change</b> - must leave at factory settings						

\* Only applies to I<sup>2</sup>C output.

## 8. Part Number List

**Table 17: Part Number List**

<b>Telaire part no.</b>	<b>Description</b>
CC2A25	ChipCap 2, analog, 2%, 5v
CC2A23	ChipCap 2, analog, 2%, 3.3v
CC2D23S	ChipCap 2, digital, sleep mode, 2%, 3.3v
CC2D25S	ChipCap 2, digital, sleep mode, 2%, 5v
CC2D23	ChipCap 2, digital, 2%, 3.3v
CC2D25	ChipCap 2, digital, 2%, 5v
CC2D35	ChipCap 2, digital, 3%, 5v
CC2A33	ChipCap 2, analog, 3%, 3.3v
CC2D33S	ChipCap 2, digital, sleep mode, 3%, 3.3v
CC2D35S	ChipCap 2, digital, sleep mode, 3%, 5v
CC2D33	ChipCap 2, digital, 3%, 3.3v
CC2A35	ChipCap 2, analog, 3%, 5v



## **Customer Support Centers**

### **North and South America**

Amphenol Thermometrics, Inc.  
St Marys Center  
967 Windfall Road  
St Marys, Pennsylvania 15857, U.S.A.  
T: 814-834-9140  
F: 814-781-7969

### **Europe, Middle East and Asia**

Amphenol Thermometrics (U.K.) Limited  
Crown Industrial Estate  
Priorswood Road  
Taunton, TA2 8QY, UK  
T: +44-1823-335-200

**Amphenol**  
**Advanced Sensors**

[www.amphenol-sensors.com](http://www.amphenol-sensors.com)

[www.telaire.com](http://www.telaire.com)

©2016 Amphenol Thermometrics, Inc. All rights reserved.  
Technical content subject to change without notice.