

**T H E R M O M E T R I C S**  
A COMMITMENT TO EXCELLENCE  
AN AMPHENOL COMPANY

# OTS

## Oil Temperature Sensor



The oil temperature sensor monitors the temperature of the engine oil. This sensor's purpose is to measure the oil temperature and display this measurement to the vehicle's occupants. The engine can be in danger of damage if it operates at too high a temperature. As with the coolant temperature sensor, the OTS sensor allows operators to stop the vehicle and switch off the engine if the temperature of the oil gets too high as a result of an over heated engine. This would prevent any permanent damage to the engine.

### Applications

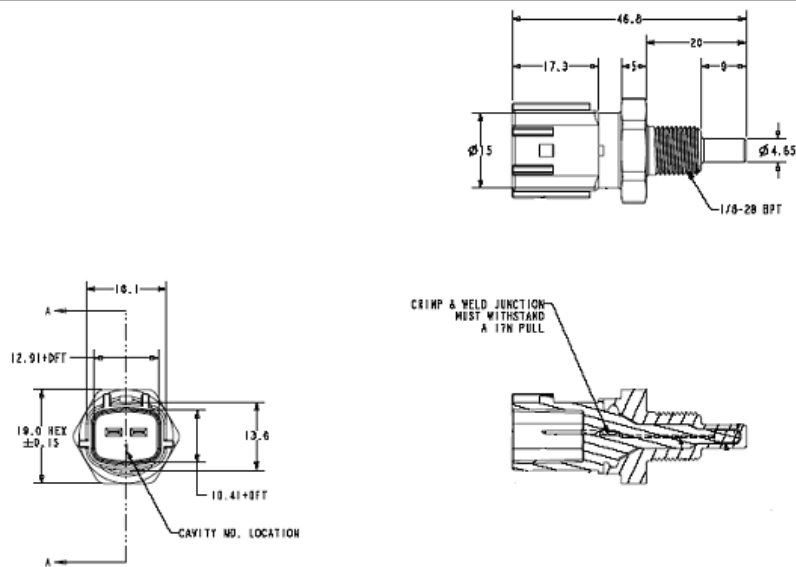
- Engine Oil Temperature
- Water Temperature Sensor
- Coolant Temperature Sensor

### Features

- High accuracy and long term stability
- Fast response time
- Integral sealed connector
- Small size
- Existing field proven design
- Alternate RvT curves available
- Different geometries to meet package requirements
- Pigtail versions also available
- Other resistance and beta values available

# Amphenol

## Sensors



## Specifications

### R @ 110°C

148.0 ohms ± 3.38%

### B (25/85)

3541K

### Operating Temperature Range

-40°C to 150°C

### Storage Temperature Range

-40°C to 200°C

### Response Time

≤5 seconds 20°C to 100°C

### Temperature Accuracy

±1.32°C @ 110°C

### NTC Part Number

0703-1272-76-S10

### Housing Material

Machined Brass

### Weight:

24.0 Grams

### Connector

APC Type E02MGY-X

### Mating Connector

Type E02FGY-RS

### Resistance vs. Temperature Data

Temp. (°C)	R: 148 ohm at 110 °C	Resistance Accuracy (±%)	Temperature Accuracy (±°C)
-40	48314	12.30	2.00
-30	27406	10.25	1.80
-20	16107	8.00	1.51
-10	9779	7.00	1.42
0	6117	6.33	1.37
10	3935	5.67	1.31
20	2598	5.00	1.23
25	2129	4.87	1.23
30	1756	4.74	1.23
40	1213	4.50	1.24
50	855.1	4.29	1.25
60	613.8	4.11	1.26
70	448.3	3.94	1.27
80	332.6	3.78	1.29
90	250.5	3.63	1.30
100	191.3	3.48	1.30
110	148.0	3.38	1.32
120	115.9	3.60	1.47
130	91.76	3.82	1.63
140	73.44	4.48	2.00
150	59.37	5.39	2.50

# Amphenol Sensors

[www.amphenol-sensors.com](http://www.amphenol-sensors.com)

© 2025 Amphenol Corporation. All Rights Reserved. Specifications are subject to change without notice.

Other company names and product names used in this document are the registered trademarks or trademarks of their respective owners.

AS-920-537B - 02/2025