

# AEC-Q102 Qualified digital output IR sensor

ZTPD-148F is AEC-Q102 qualified digital output IR detector series presents the temperature compensated digital I2C output. Sensing element(thermopile) and signal condition IC(ASIC) integrated into single TO-39 metal package and provide temperature compensated temperature output. It provides a calibrated output, allowing customers to use the temperature output provided by the sensor directly without the need for additional process.

## Features

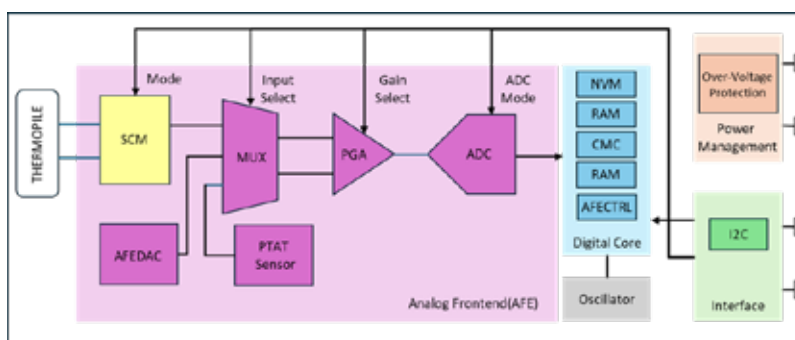
- Thermopile and ASIC integrated TO package
- Wide target measurement temperature range
- Low power consumption(Max. 10mA)
- No need warm up time @ key-on to read temp.
- Design freedom for location, installation
- Standard digital I2C protocol
- AEC-Q102 qualified
- RoHS Compliant (Directive 2002/95/EC)

## Applications

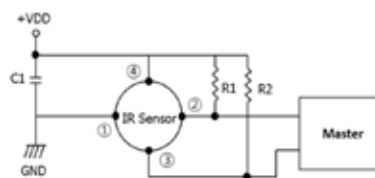
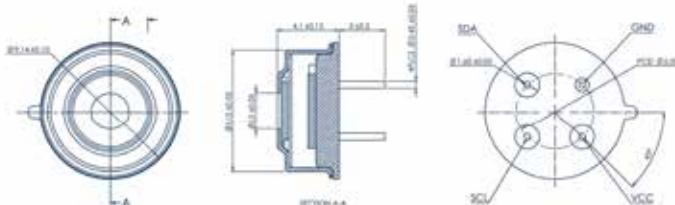
- Battery/power inverter temperature sensing
- Non-contact thermometer
- Temperature measurement for automotive and building HVAC system
- Home appliance(Microwave oven, Refrigerator, Coffee machine, etc)

## Specification

Supply voltage	: 5.0 ± 0.1 VDC
Supply Current	: 7mA(Typical)
Target object Temp:	-30 C to 200 C
Operating Temp.	: -40 C to 125 C
Storage Temp.	: -40 C to 125 C
Accuracy(Typ.)	: ±3.0 C@100 C



- Analog
- Digital
- Interface
- Safety
- Power



Remark  
 ● R1, R2(Full up resistor) : 2.2 ~ 10Kohm  
 ● C1(Decoupling capacitor) : 100nF

